






**MULTI-FUNCTION ELECTRONIC CONTROLS**

The electronic controls for this appliance have been designed to give you maximum economy and comfort

-  **Off:** the heater will not operate in the off position
-  **Program (clock):** the heater will run on the program being received through the pilot wire from one of our programming options
-  **Comfort:** the heater will maintain the set room temperature.
-  **Economy:** the heater will decrease in temperature by 4°C from comfort room temperature.
-  **Frost Protection:** the room temperature will not drop below 5°C. This is ideal when going on holiday or if a room is out of use for a period of time e.g. a conservatory



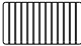

**THERMOSTAT**

Use the thermostat dial to select your desired room temperature. The markings on the dial are in approximately 3.5°C increments. The maximum setting (10) is around 35°C which means the heater will normally remain on continuously. The easiest way to find your comfort setting is to turn the dial to maximum. When the temperature in the room has reached your ideal comfort level, turn the dial back until the thermostat switches off (the neon light will go out). **Leave at this setting** and the heater will operate as necessary to maintain this room temperature.

**THERMOSTAT LIGHT**

On = element heating    Off = element reached required heating level

**For greatest economy switch the heater to economy setback if you leave the room for long periods or before going to bed. Normally 16°C is the ideal set back temperature, allowing the room to reach comfort level again within a reasonable time.**

Style	Model	Rating Watt	Height mm	Length mm	Depth mm	Weight kg
Low Horizontal	 <b>ALE 08</b>	750	415	781	133	18
	<b>ALE 10</b>	1000	415	1021	133	23
	<b>ALE 15</b>	1500	415	1261	133	28
Horizontal	 <b>ALT 08</b>	750	615	781	133	28
	<b>ALT 10</b>	1000	615	781	133	28
	<b>ALT 13</b>	1250	615	1021	133	37
	<b>ALT 15</b>	1500	615	1021	133	37
	<b>ALT 20</b>	2000	615	1261	133	46

### POSITION

For maximum efficiency, this appliance should be positioned so that the emitting heat mixes with the maximum volume of air. Avoid positioning the radiator behind curtains or doors. Respect the minimum distances in relation to floor, walls, net curtains, etc. shown below. To avoid operating problems with the appliance the air grilles must not be partially or totally blocked .

### BATHROOM INSTALLATION

These heaters are splash proof to IPX4 standard.

### IMPORTANT

If the heater is installed in a room containing a bath or shower, it must be installed so that a person using a bath or shower cannot touch switches and other controls.

### FIXING

Remove the wall-mounting bracket from the rear of the unit by depressing the clips at the top of the bracket with a screwdriver.

Fix wall bracket to wall through the screw holes provided.

Hold the unit, tilting it forward by about 10°. Lift gently and insert the lower hooks into the wall bracket. Hook the two chains into the matching holes. Lift gently and insert the upper hooks. Lock the appliance by tightening the central screw in the bracket.

### ELECTRICAL CONNECTION

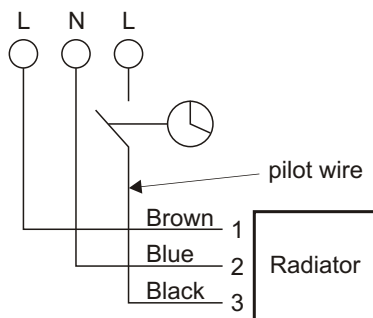
In accordance with IEE regulations, a competent electrician must carry out installation of this appliance.

The heater is fitted with a length of 1.2m flexible cable for connection to the fixed wiring of the premises through a suitable connection box incorporating a double pole isolating switch with a contact separation of at least 3mm, positioned adjacent to the heater.

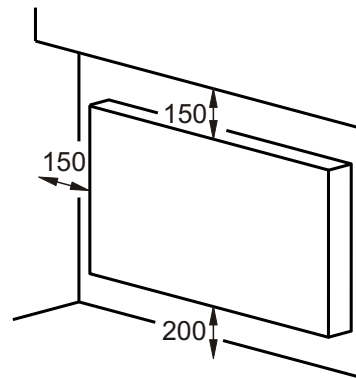
The black pilot control wire is designed only to carry a signal from a compatible remote programmer or switching device.

If the black pilot wire is not being used with a compatible programming or switching device it should be terminated and insulated within the fused spur.

### WIRING DIAGRAM

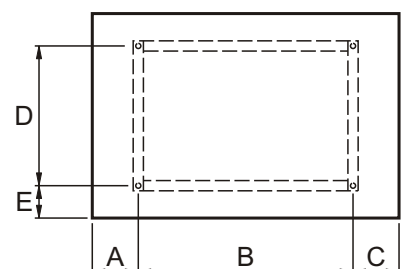


### MINIMUM CLEARANCES

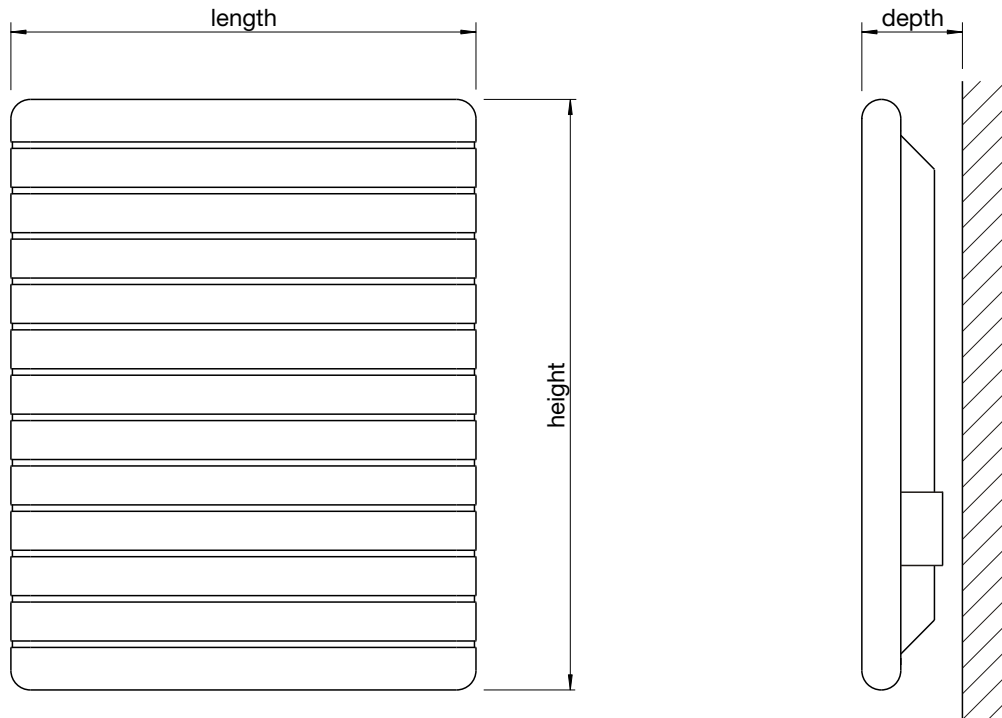


### FIXING DIMENSIONS

viewed from front  
cable entry on right








Model	A mm	B mm	C mm	D mm	E mm
<b>ALE 08</b>	199	384	198	103	126
<b>ALE 10</b>	199	624	198	103	126
<b>ALE 15</b>	199	864	198	103	126
<b>ALT 08</b>	187	384	210	294	165
<b>ALT 10</b>	187	384	210	294	165
<b>ALT 13</b>	187	624	210	294	165
<b>ALT 15</b>	187	624	210	294	165
<b>ALT 20</b>	187	864	210	294	165



**MULTI-FUNCTION ELECTRONIC CONTROLS**

The electronic controls for this appliance have been designed to give you maximum economy and comfort

-  **Off:** the heater will not operate in the off position
-  **Program (clock):** the heater will run on the program being received through the pilot wire from one of our programming options
-  **Comfort:** the heater will maintain the set room temperature.
-  **Economy:** the heater will decrease in temperature by 4°C from comfort room temperature.
-  **Frost Protection:** the room temperature will not drop below 5°C. This is ideal when going on holiday or if a room is out of use for a period of time e.g. a conservatory



**THERMOSTAT**

Use the thermostat dial to select your desired room temperature. The markings on the dial are in approximately 3.5°C increments. The maximum setting (10) is around 35°C which means the heater will normally remain on continuously. The easiest way to find your comfort setting is to turn the dial to maximum. When the temperature in the room has reached your ideal comfort level, turn the dial back until the thermostat switches off (the neon light will go out).

**Leave at this setting** and the heater will operate as necessary to maintain this room temperature.

**THERMOSTAT LIGHT**

On = element heating    Off = element reached required heating level

**For greatest economy switch the heater to economy setback if you leave the room for long periods or before going to bed. Normally 16°C is the ideal set back temperature, allowing the room to reach comfort level again within a reasonable time.**

Style	Model	Rating Watt	Height mm	Length mm	Depth mm	Weight kg
Vertical	ALT 10V	1000	1021	615	133	37
	ALT 15V	1500	1261	615	133	46
	ALT 20V	2000	1501	615	133	55
Narrow Vertical	ALE 10V	1000	1261	415	133	28
	ALE 15V	1500	1501	415	133	36

### POSITION

For maximum efficiency, this appliance should be positioned so that the emitting heat mixes with the maximum volume of air. Avoid positioning the radiator behind curtains or doors. Respect the minimum distances in relation to floor, walls, net curtains, etc. shown below. To avoid operating problems with the appliance the air grilles must not be partially or totally blocked .

### BATHROOM INSTALLATION

These heaters are splash proof to IPX4 standard.

### IMPORTANT

If the heater is installed in a room containing a bath or shower, it must be installed so that a person using a bath or shower cannot touch switches and other controls.

### FIXING

Remove the wall-mounting bracket from the rear of the unit by depressing the clips at the top of the bracket with a screwdriver.

Fix wall bracket to wall through the screw holes provided.

Hold the unit, tilting it forward by about 10°. Lift gently and insert the lower hooks into the wall bracket. Hook the two chains into the matching holes. Lift gently and insert the upper hooks. Lock the appliance by tightening the central screw in the bracket.

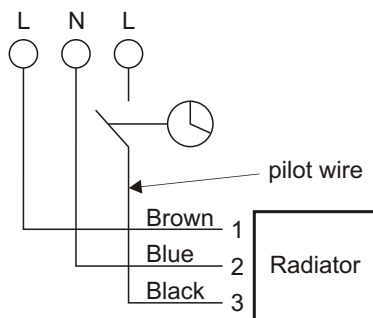
### ELECTRICAL CONNECTION

A competent electrician in accordance with current IEE regulations must carry out the electrical installation for Electrical Equipment in buildings.

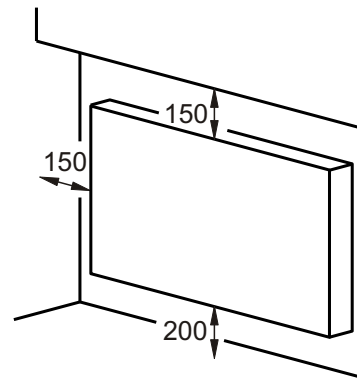
The heater is fitted with a length of 1.2m flexible cable for connection to the fixed wiring of the premises through a suitable connection box incorporating a double pole isolating switch with a contact separation of at least 3mm, positioned adjacent to the heater.

The black pilot control wire is designed only to carry a signal from a compatible remote programmer or switching device. If the black pilot wire is not being used with a compatible programming or switching device it should be terminated and insulated within the fused spur.

### WIRING DIAGRAM

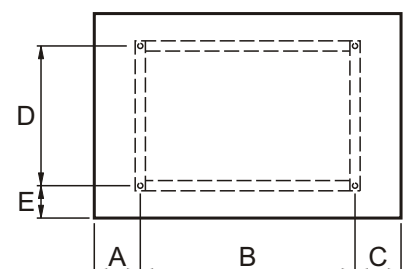


### MINIMUM CLEARANCES



### FIXING DIMENSIONS

viewed from front  
cable entry on right



Model	A mm	B mm	C mm	D mm	E mm
ALT 10V	120	374	241	587	235
ALT 15V	120	374	241	827	235
ALT 20V	120	374	241	1067	235
ALE 10V	153	110	152	827	235
ALE 15V	153	110	152	1067	235