




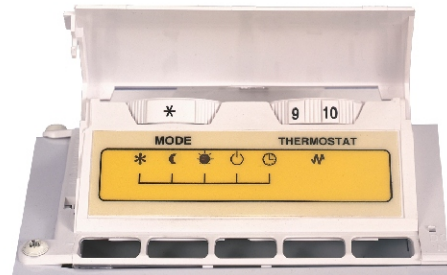


MULTI-FUNCTION ELECTRONIC CONTROLS

The electronic controls for this appliance have been designed to give you maximum economy and comfort

-  **Frost protection:** the convector switches on when the temperature falls to around 7°C. Gives maximum economy with no risk of freezing pipes or condensation for long periods of absence
-  **Economy:** Temperature reduction mode. Room temperature is reduced by 4°C.
-  **Comfort:** Thermostat setting between 1-10.
-  **Off**
-  **Programming:** when signalling through the pilot wire to a remote programmer or switching device.



THERMOSTAT

Use the thermostat dial to select your desired room temperature. The markings on the dial are in approximately 3.5°C increments. The maximum setting (10) is around 35°C which means the heater will normally remain on continuously. The easiest way to find your comfort setting is to turn the dial to maximum. When the temperature in the room has reached your ideal comfort level, turn the dial back until the thermostat switches off (the neon light will go out). **Leave at this setting** and the heater will operate as necessary to maintain this room temperature.

THERMOSTAT LIGHT

On = element heating Off = element reached required heating level

For greatest economy switch the heater to economy setback if you leave the room for long periods or before going to bed. Normally 16°C is the ideal set back temperature, allowing the room to reach comfort level again within a reasonable time.

Model	Rating Watt	Height mm	Length mm	Depth mm	Weight kg
1337-1	500	650	260	100	3.9
1337-2	750	650	300	100	4.4
1337-3	1000	650	340	100	4.7
1337-4	1250	650	420	100	5.6
1337-5	1500	650	500	100	6.5
1337-6	1750	650	580	100	7.4
1377-7	2000	650	660	100	8.3

POSITION

The appliance should be mounted in an horizontal position on the wall brackets supplied. It should only be operated when in the upright position with the control panel at the top.

Do not locate the heater immediately below a fixed socket outlet or connection box.

It is essential that you observe the minimum clearances as shown in the diagram below, particularly in regard to flammable objects.

BATHROOM INSTALLATION

These heaters are splash proof to IPX4 standard.

IMPORTANT

If the heater is installed in a room containing a bath or shower, it must be installed so that a person using a bath or shower cannot touch switches and other controls.

FIXING

Remove the wall-mounting bracket from the rear of the unit by depressing the clips at the top of the bracket with a screwdriver.

Fix wall bracket to wall through the four screw holes provided. (Three on some smaller output models).

To make it easier to obtain the minimum base of unit to floor clearance measurement of 50mm place the mounting bracket against the wall with the bottom clips on the floor and mark the lower holes drill position through the central holes.

ELECTRICAL CONNECTION

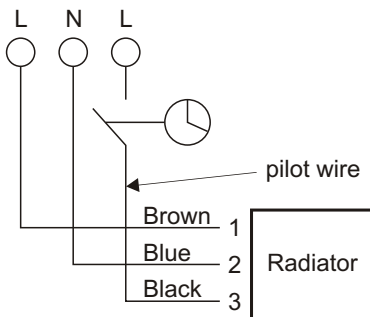
In accordance with IEE regulations, a competent electrician must carry out installation of this appliance.

The heater is fitted with a 1.2m length of flexible cable for connection to the fixed wiring of the premises through a suitable connection box incorporating a double pole isolating switch with a contact separation of at least 3mm, positioned adjacent to the heater.

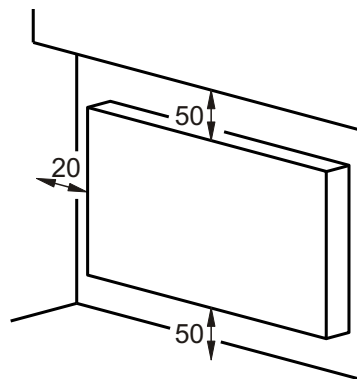
The black pilot control wire is designed only to carry a signal from a compatible remote programmer or switching device.

If the black pilot wire is not being used with a compatible programming or switching device it should be terminated and insulated within the fused spur.

WIRING DIAGRAM

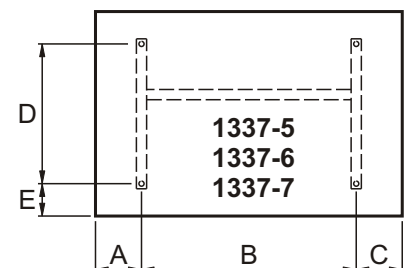
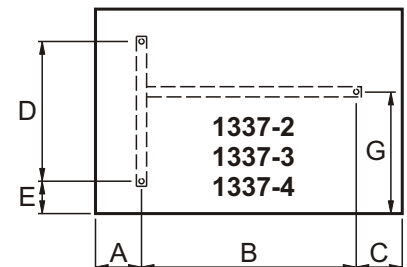
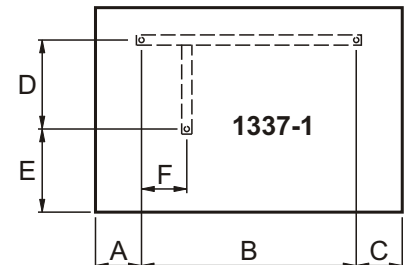


MINIMUM CLEARANCES

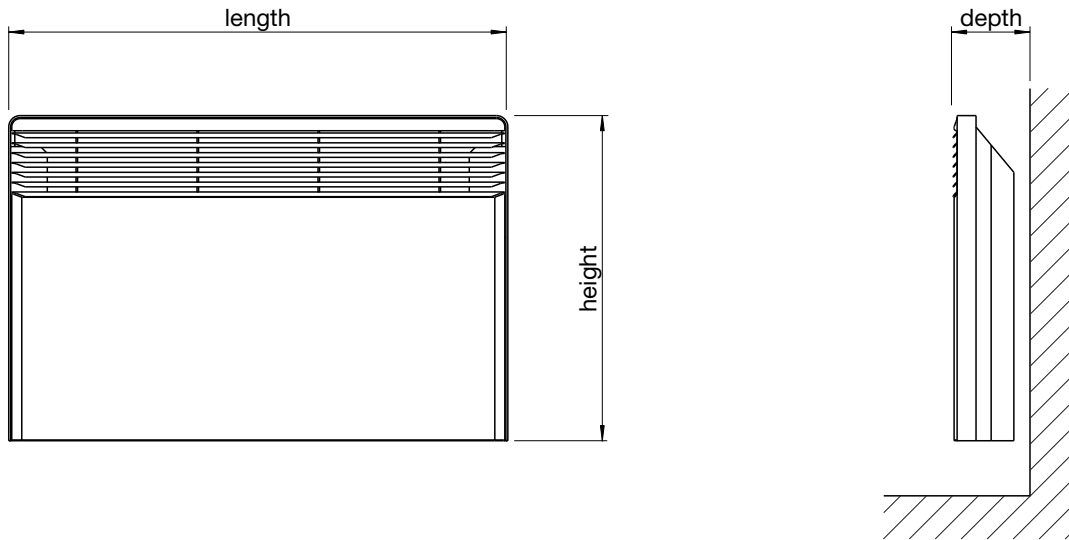


FIXING DIMENSIONS

viewed from front
cable entry on right








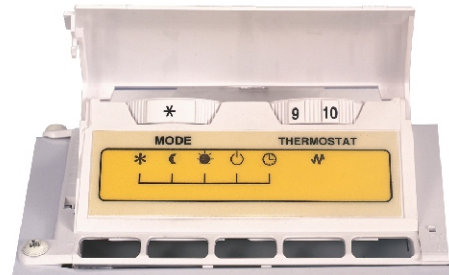
Model	A mm	B mm	C mm	D mm	E mm	F mm	G mm
1337-1	90	113	57	509	26	167	-
1337-2	90	95	115	509	26	-	372
1337-3	90	135	115	509	26	-	372
1337-4	90	215	115	509	26	-	372
1337-5	90	200	210	509	26	-	-
1337-6	90	280	210	509	26	-	-
1337-7	90	360	210	509	26	-	-



MULTI-FUNCTION ELECTRONIC CONTROLS

The electronic controls for this appliance have been designed to give you maximum economy and comfort

-  **Frost protection:** the convector switches on when the temperature falls to around 7°C. Gives maximum economy with no risk of freezing pipes or condensation for long periods of absence
-  **Economy:** Temperature reduction mode. Room temperature is reduced by 4°C.
-  **Comfort:** Thermostat setting between 1-10.
-  **Off**
-  **Programming:** when signalling through the pilot wire to a remote programmer or switching device.



THERMOSTAT

Use the thermostat dial to select your desired room temperature. The markings on the dial are in approximately 3.5°C increments. The maximum setting (10) is around 35°C which means the heater will normally remain on continuously. The easiest way to find your comfort setting is to turn the dial to maximum. When the temperature in the room has reached your ideal comfort level, turn the dial back until the thermostat switches off (the neon light will go out). **Leave at this setting** and the heater will operate as necessary to maintain this room temperature.

THERMOSTAT LIGHT

On = element heating Off = element reached required heating level

For greatest economy switch the heater to economy setback if you leave the room for long periods or before going to bed. Normally 16°C is the ideal set back temperature, allowing the room to reach comfort level again within a reasonable time.

Model	Rating Watt	Height mm	Length mm	Depth mm	Weight kg
1336-1	500	430	340	100	3.5
1336-2	750	430	340	100	3.5
1336-3	1000	430	420	100	4.2
1336-4	1250	430	500	100	4.8
1336-5	1500	430	580	100	5.4
1336-6	1750	430	660	100	6.0
1376-7	2000	430	740	100	6.6

POSITION

The appliance should be mounted in an horizontal position on the wall brackets supplied. It should only be operated when in the upright position with the control panel at the top.

Do not locate the heater immediately below a fixed socket outlet or connection box.

It is essential that you observe the minimum clearances as shown in the diagram below, particularly in regard to flammable objects.

BATHROOM INSTALLATION

These heaters are splash proof to IPX4 standard.

IMPORTANT

If the heater is installed in a room containing a bath or shower, it must be installed so that a person using a bath or shower cannot touch switches and other controls.

FIXING

Remove the wall-mounting bracket from the rear of the unit by depressing the clips at the top of the bracket with a screwdriver.

Fix wall bracket to wall through the four screw holes provided. (Three on some smaller output models).

To make it easier to obtain the minimum base of unit to floor clearance measurement of 50mm place the mounting bracket against the wall with the bottom clips on the floor and mark the lower holes drill position through the central holes.

ELECTRICAL CONNECTION

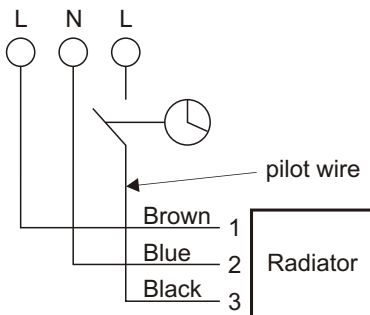
In accordance with IEE regulations, a competent electrician must carry out installation of this appliance.

The heater is fitted with a 1.2m length of flexible cable for connection to the fixed wiring of the premises through a suitable connection box incorporating a double pole isolating switch with a contact separation of at least 3mm, positioned adjacent to the heater.

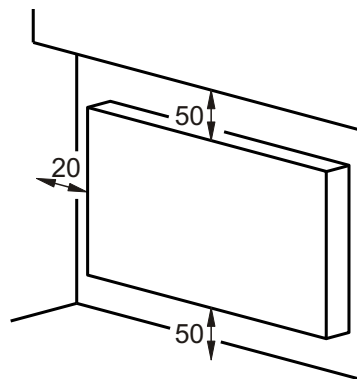
The black pilot control wire is designed only to carry a signal from a compatible remote programmer or switching device.

If the black pilot wire is not being used with a compatible programming or switching device it should be terminated and insulated within the fused spur.

WIRING DIAGRAM

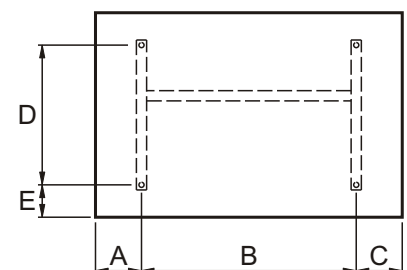
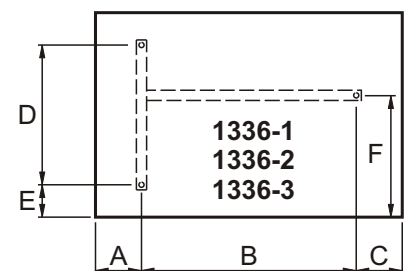


MINIMUM CLEARANCES

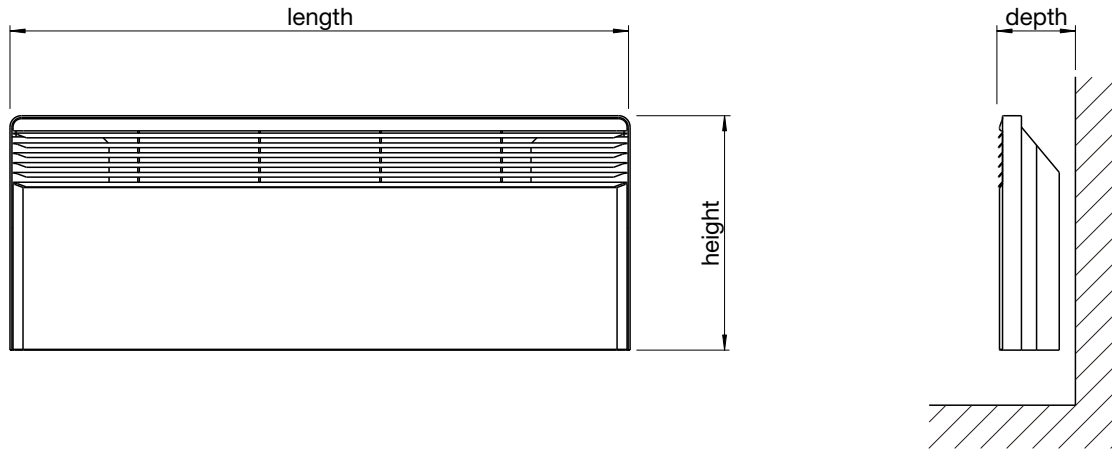


FIXING DIMENSIONS

viewed from front
cable entry on right








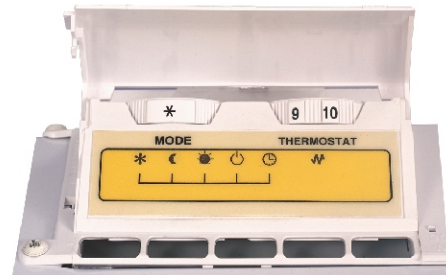
Model	A mm	B mm	C mm	D mm	E mm	F mm
1336-1	90	95	115	289	26	150
1336-2	90	135	115	289	26	150
1336-3	90	215	115	289	26	150
1336-4	90	200	210	289	26	-
1336-5	90	280	210	289	26	-
1336-6	90	360	210	289	26	-
1376-7	90	440	210	289	26	-



MULTI-FUNCTION ELECTRONIC CONTROLS

The electronic controls for this appliance have been designed to give you maximum economy and comfort

-  **Frost protection:** the convector switches on when the temperature falls to around 7°C. Gives maximum economy with no risk of freezing pipes or condensation for long periods of absence
-  **Economy:** Temperature reduction mode. Room temperature is reduced by 4°C.
-  **Comfort:** Thermostat setting between 1-10.
-  **Off**
-  **Programming:** when signalling through the pilot wire to a remote programmer or switching device.



THERMOSTAT

Use the thermostat dial to select your desired room temperature. The markings on the dial are in approximately 3.5°C increments. The maximum setting (10) is around 35°C which means the heater will normally remain on continuously. The easiest way to find your comfort setting is to turn the dial to maximum. When the temperature in the room has reached your ideal comfort level, turn the dial back until the thermostat switches off (the neon light will go out). **Leave at this setting** and the heater will operate as necessary to maintain this room temperature.

THERMOSTAT LIGHT

On = element heating Off = element reached required heating level

For greatest economy switch the heater to economy setback if you leave the room for long periods or before going to bed. Normally 16°C is the ideal set back temperature, allowing the room to reach comfort level again within a reasonable time.

Model	Rating Watt	Height mm	Length mm	Depth mm	Weight kg
1335-1	500	310	420	100	3.5
1335-2	750	310	500	100	3.9
1335-3	1000	310	580	100	4.5
1335-4	1250	310	820	100	6.0
1335-5	1500	310	820	100	6.0
1335-6	1750	310	1060	100	7.5
1375-7	2000	310	1060	100	7.5

POSITION

The appliance should be mounted in an horizontal position on the wall brackets supplied. It should only be operated when in the upright position with the control panel at the top.

Do not locate the heater immediately below a fixed socket outlet or connection box.

It is essential that you observe the minimum clearances as shown in the diagram below, particularly in regard to flammable objects.

BATHROOM INSTALLATION

These heaters are splash proof to IPX4 standard.

IMPORTANT

If the heater is installed in a room containing a bath or shower, it must be installed so that a person using a bath or shower cannot touch switches and other controls.

FIXING

Remove the wall-mounting bracket from the rear of the unit by depressing the clips at the top of the bracket with a screwdriver.

Fix wall bracket to wall through the four screw holes provided. (Three on some smaller output models).

To make it easier to obtain the minimum base of unit to floor clearance measurement of 50mm place the mounting bracket against the wall with the bottom clips on the floor and mark the lower holes drill position through the central holes.

ELECTRICAL CONNECTION

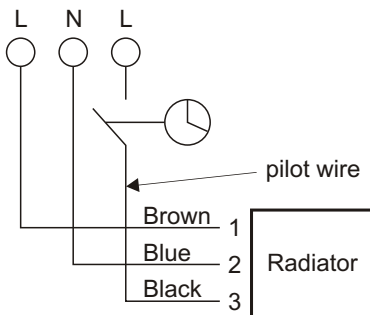
In accordance with IEE regulations, a competent electrician must carry out installation of this appliance.

The heater is fitted with a 1.2m length of flexible cable for connection to the fixed wiring of the premises through a suitable connection box incorporating a double pole isolating switch with a contact separation of at least 3mm, positioned adjacent to the heater.

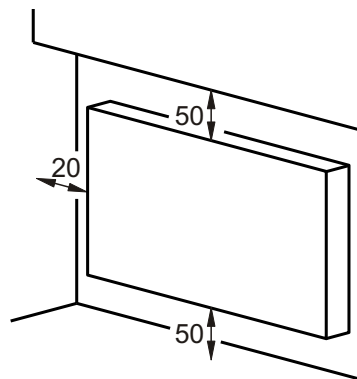
The black pilot control wire is designed only to carry a signal from a compatible remote programmer or switching device.

If the black pilot wire is not being used with a compatible programming or switching device it should be terminated and insulated within the fused spur.

WIRING DIAGRAM

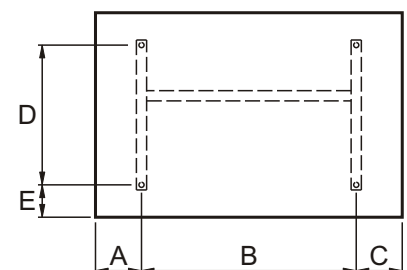
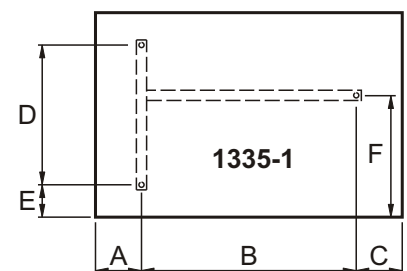


MINIMUM CLEARANCES



FIXING DIMENSIONS

viewed from front
cable entry on right



Model	A mm	B mm	C mm	D mm	E mm	F mm
1335-1	90	120	210	171	26	41
1335-2	90	200	210	171	26	-
1335-3	90	280	210	171	26	-
1335-4	90	520	210	171	26	-
1335-5	90	520	210	171	26	-
1335-6	90	760	210	171	26	-
1375-7	90	760	210	171	26	-