

This programmer can be used only in radiators fitted with a suitable receptacle. These are Stellio, Novares, Ultime & Select.

LCD screen displays:

- (1) Time
- (2) Day
- (3) Current heating status - indicator flashes
- (4) Choice of programme for each day

TECHNICAL FEATURES

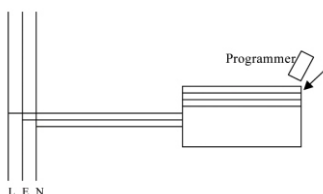
- Individual programming: 1 heater / 1 programmer.
- Group Programming: drives up to 20 radiators through the black (pilot) signal wire.
- Weekly programming
- 2 positions: COMFORT - as adjusted on each heater
ECONOMY - reduced (setback) temperature.
- Programming step: 1 hour.
- Override facility: frost protection.
- Choice of programmes: each day can be programmed from a selection of 7 pre-set programmes or one customised programme. See instructions below for further details.
- Built-in battery - can operate for 7 hours max when removed from the heater's receptacle. If the mains supply is cut off for more than 7 hours, the day and time have to be set again. The recorded programmes will remain stored.
- CE, IP 24, 230V

INSTALLATION

- Remove the cover from the receptacle.
- Insert the programmer.
- Leave for minimum of 15 minutes to charge the battery. When ready, LCD indicator will flash.
- Turn the control button on the appliance(s) to the PROG position.

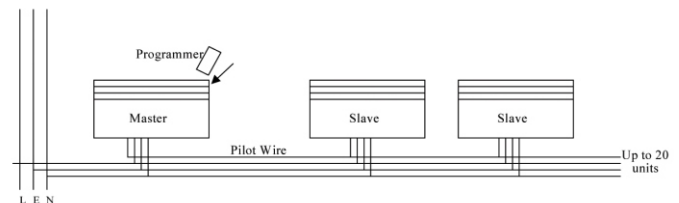
Individual Programming

Use a heater with a receptacle for the cassette programmer.



Group Programming

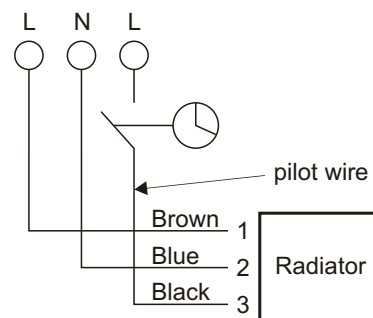
The heater fitted with the Cassette Programmer is the "master" radiator and connected by the black (pilot) signal wire to the "slave" radiators. The "slave" radiators must have an electronic thermostat but do NOT require a receptacle. It is the "master" heater that determines the programme setting (Comfort, Economy, Frost Protection).



For Group Programming, installation must be carried out by a competent electrician according to Building Regs Part P.

It is imperative that the same phase (brown) and neutral (blue) polarity is used on the whole electric circuit.

Do NOT connect the BLACK (PILOT) SIGNAL WIRE to earth.

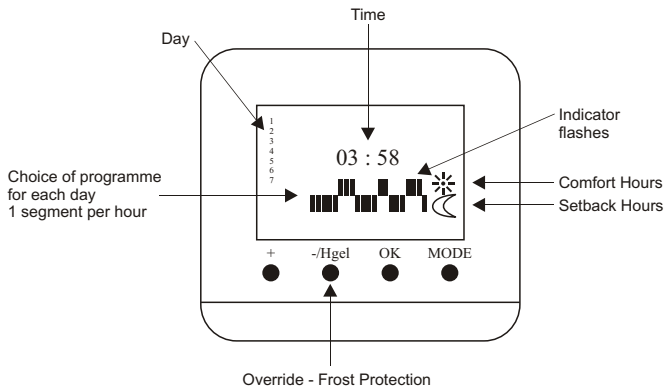


When the programmer drives other radiators, connect the black pilot wire from the "master" unit to the black pilot wire of a "slave" unit and then from one "slave" unit to another (in series). On every "slave" radiator, turn the position button to PROG if a heater has this facility on the control button.

NB: Any 240V wire can be used to join the black pilot wire from one heater to another, the signal voltage being a low current.

OPERATION

The programmer can be operated either when inserted in the appliance receptacle or out of the receptacle for up to 7 hours.



Setting the Time

00.00 Flashes

- Press the **mode** button once until the hour flashes
- Alter the hours with **+** or **-** sign & confirm **OK**.
- Alter the minutes with **+** or **-** sign & confirm **OK**.
- Alter the days with the **+** or **-** sign and confirm **OK**.

The black arrow marks the selected day (1=Monday, etc.)

Choose from 7 Pre-Set Programmes or Customise 1 Programme

- Press **mode** twice (once for 2 seconds and once again briefly).
- Pre-set programmes (P1-P7).
- Then with the **+** or **-** sign, choose the programme of your choice for each day of the week:
- Confirm **OK** for each day.

The customised programme (P=):

- With **+** or **-** sign, choose P=
- press **mode** (the first hour of the barograph flashes) and then change temperature levels for each hour of the day by pressing **+** for comfort (thermostat setting) and **-** for economy (setback). Then after completing 24 hours, confirm **OK** to go on with the next day.

NB: programmer will be back to original display screen (time + day +) only after each day has received a programme.



Override Facility

Important: the frost protection setting is continuous during the days it is set.

For setting frost protection, press the **-/Hgel** button until "HG01" appears. press on the **+** or **-** to set number of days required for frost protection (99 days maximum) and confirm **OK**: all units are on the frost protection position. For instance: "HG:04" = 4 days.

After the set frost protection period, it automatically returns to the registered programme. To cancel frost protection before the end of the set period, press **-/Hgel** to return to the registered programme.

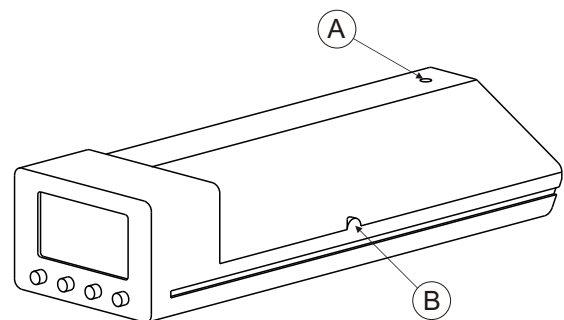
When "slave" radiators are connected to a "master" radiator, it is possible to manually override one or more slave radiators (only when a heater has this facility on the control button) by turning the control button to the required position (Comfort, Economy, Frost Protection or Stop). To cancel the manual override, turn back to the PROG position.

Problem Solving

- Display flashes and cannot set time: exit the existing mode by pressing OK to return to the beginning.
- Cassette taken out of heater for more than 7 hours: return to heater to charge (internal battery lasts for 7 hours).

LOCKING THE CASSETTE PROGRAMMER INTO THE RADIATOR

- Remove the screw (A) from the cassette
- Insert the cassette into the receptacle.
- Lock by piercing the prominent spur on the side of the heater casing until the screw enters a matching hole (B) in the cassette.



WARNING

Watch children carefully. Do not insert objects of any kind into the receptacle. Children should not be allowed to play with the cassette programmer under any circumstances.