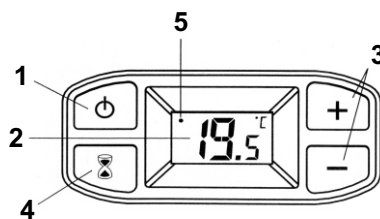


This appliance is a room heater as well as a towel dryer.



1. On / Off
2. Digital display
3. + / - adjustment buttons: adjusts the temperature between 7° & 27° C in 0.5° C steps.
4. Boost: provides immediate and additional heating during an adjustable time period of 5 to 90 minutes. During this period, the total rating of the heater (radiant front panel + fan) is supplied without being regulated by the thermostat.
5. Heat indicator

Model	Rating Watt	Height mm	Length mm	Depth mm	Weight kg
K134-5	1500 (radiator 500 / fan 1000)	1240	504	185	21

**POSITION**

For maximum efficiency, this appliance should be positioned so that the emitting heat mixes with the maximum volume of air. Avoid positioning the radiator behind curtains or doors. Respect the minimum distances in relation to floor, walls, net curtains, etc. shown below. To avoid operating problems with the appliance the air grilles must not be partially or totally blocked .

**BATHROOM INSTALLATION**

These heaters are splash proof to IP24 standard.

**IMPORTANT**

If the heater is installed in a room containing a bath or shower, it must be installed so that a person using a bath or shower cannot touch switches and other controls.

**FIXING**

Fix the lower bracket to the wall as per the sketch below ensuring it is horizontal. Fit the upper bracket to the radiator, hang the radiator on the lower bracket and mark out the hole positions for the upper bracket. Remove the upper bracket from the radiator and fix to the wall. Hang the radiator onto the brackets and secure in place with the locking screws on the upper bracket.

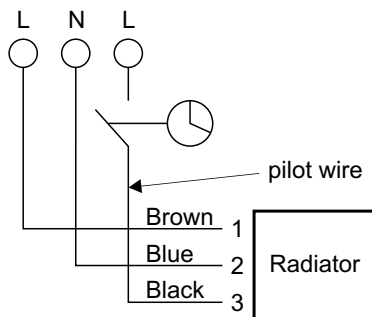
**ELECTRICAL CONNECTION**

In accordance with IEE regulations, a competent electrician must carry out installation of this appliance. The heater is fitted with a 1.2m length of flexible cable for connection to the fixed wiring of the premises through a suitable connection box incorporating a double pole isolating switch with a contact separation of at least 3mm, positioned adjacent to the heater.

The black pilot control wire is designed only to carry a signal from a compatible remote programmer or switching device.

If the black pilot wire is not being used with a compatible programming or switching device it should be terminated and insulated within the fused spur.

**WIRING DIAGRAM**



**FIXING DIMENSIONS**  
viewed from rear

