








This radiator may be mounted horizontally or vertically, in which case the height & length dimensions should be transposed

MULTI-FUNCTION ELECTRONIC CONTROLS

The electronic controls for this appliance have been designed to give you maximum economy and comfort

-  **Program (clock):** the heater will run on the program being received through the pilot wire from one of our programming options
-  **Comfort:** the heater will maintain the set room temperature.
-  **Comfort -1°C:** the comfort temperature will drop by 1°C.
-  **Comfort -2°C:** the comfort temperature will drop by 2°C.
-  **Economy:** the heater will decrease in temperature by 4°C from comfort room temperature.
-  **Frost Protection:** the room temperature will not drop below 5°C. This is ideal when going on holiday or if a room is out of use for a period of time e.g. a conservatory
-  **Off:** the heater will not operate in the off position



THERMOSTAT

Use the thermostat dial to select your desired room temperature. The markings on the dial are in approximately 3.5°C increments. The maximum setting (10) is around 35°C which means the heater will normally remain on continuously. The easiest way to find your comfort setting is to turn the dial to maximum. When the temperature in the room has reached your ideal comfort level, turn the dial back until the thermostat switches off (the neon light will go out). **Leave at this setting** and the heater will operate as necessary to maintain this room temperature.

THERMOSTAT LIGHT

On = element heating Off = element reached required heating level

For greatest economy switch the heater to economy setback if you leave the room for long periods or before going to bed. Normally 16°C is the ideal set back temperature, allowing the room to reach comfort level again within a reasonable time.

Model	Rating Watt	Height mm	Length mm	Depth mm	Weight kg
COM 07	700	265	955	124	7
COM 10	950	265	1211	124	9
COM 13	1200	265	1616	124	11

POSITION

The appliance can be mounted in an horizontal or vertical position on the wall brackets supplied. Do not locate the heater immediately below a fixed socket outlet or connection box.

It is essential that you observe the minimum clearances as shown in the diagram below, particularly in regard to flammable objects.

BATHROOM INSTALLATION

These heaters are splash proof to IPX4 standard.

IMPORTANT

If the heater is installed in a room containing a bath or shower, it must be installed so that a person using a bath or shower cannot touch switches and other controls.

FIXING

Remove the wall-mounting bracket from the rear of the unit by depressing the clips at the top of the bracket with a screwdriver.

Fix wall bracket to wall through the four screw holes provided. (Three on some smaller output models).

To make it easier to obtain the minimum base of unit to floor clearance measurement of 50mm place the mounting bracket against the wall with the bottom clips on the floor and mark the lower holes drill position through the central holes.

ELECTRICAL CONNECTION

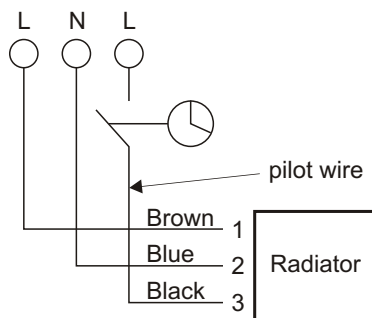
In accordance with IEE regulations, a competent electrician must carry out installation of this appliance.

The heater is fitted with a 1.2m length of flexible cable for connection to the fixed wiring of the premises through a suitable connection box incorporating a double pole isolating switch with a contact separation of at least 3mm, positioned adjacent to the heater.

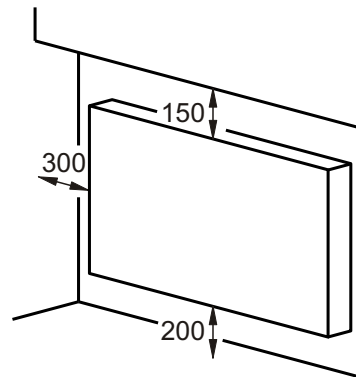
The black pilot control wire is designed only to carry a signal from a compatible remote programmer or switching device.

If the black pilot wire is not being used with a compatible programming or switching device it should be terminated and insulated within the fused spur.

WIRING DIAGRAM

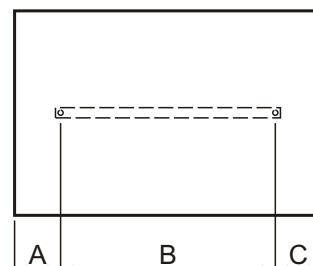


MINIMUM CLEARANCES

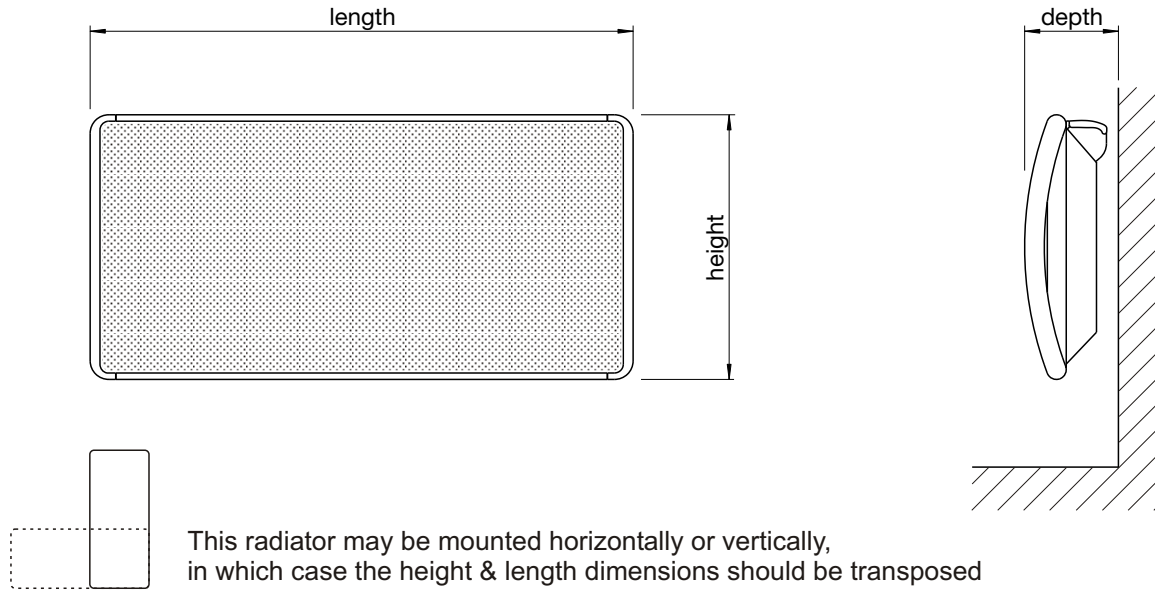


FIXING DIMENSIONS

viewed from front
cable entry on right



Model	A mm	B mm	C mm
COM 07	276	381	298
COM 10	276	637	298
COM 13	276	1042	298



MULTI-FUNCTION ELECTRONIC CONTROLS

The electronic controls for this appliance have been designed to give you maximum economy and comfort

- Program (clock):** the heater will run on the program being received through the pilot wire from one of our programming options
- Comfort:** the heater will maintain the set room temperature.
- Comfort -1°C:** the comfort temperature will drop by 1°C.
- Comfort -2°C:** the comfort temperature will drop by 2°C.
- Economy:** the heater will decrease in temperature by 4°C from comfort room temperature.
- Frost Protection:** the room temperature will not drop below 5°C. This is ideal when going on holiday or if a room is out of use for a period of time e.g. a conservatory
- Off:** the heater will not operate in the off position



THERMOSTAT

Use the thermostat dial to select your desired room temperature. The markings on the dial are in approximately 3.5°C increments. The maximum setting (10) is around 35°C which means the heater will normally remain on continuously. The easiest way to find your comfort setting is to turn the dial to maximum. When the temperature in the room has reached your ideal comfort level, turn the dial back until the thermostat switches off (the neon light will go out). **Leave at this setting** and the heater will operate as necessary to maintain this room temperature.

THERMOSTAT LIGHT

On = element heating Off = element reached required heating level

For greatest economy switch the heater to economy setback if you leave the room for long periods or before going to bed. Normally 16°C is the ideal set back temperature, allowing the room to reach comfort level again within a reasonable time.

Model	Rating Watt	Height mm	Length mm	Depth mm	Weight kg
MED 06	600	355	718	124	7
MED 08	800	355	837	124	8
MED 10	1100	355	955	124	9
MED 14	1400	355	1211	124	10

POSITION

The appliance can be mounted in an horizontal or vertical position on the wall brackets supplied. Do not locate the heater immediately below a fixed socket outlet or connection box.

It is essential that you observe the minimum clearances as shown in the diagram below, particularly in regard to flammable objects.

BATHROOM INSTALLATION

These heaters are splash proof to IPX4 standard.

IMPORTANT

If the heater is installed in a room containing a bath or shower, it must be installed so that a person using a bath or shower cannot touch switches and other controls.

FIXING

Remove the wall-mounting bracket from the rear of the unit by depressing the clips at the top of the bracket with a screwdriver.

Fix wall bracket to wall through the four screw holes provided. (Three on some smaller output models).

To make it easier to obtain the minimum base of unit to floor clearance measurement of 50mm place the mounting bracket against the wall with the bottom clips on the floor and mark the lower holes drill position through the central holes.

ELECTRICAL CONNECTION

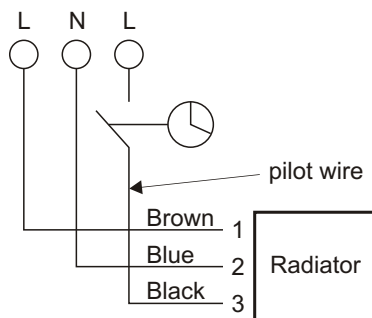
In accordance with IEE regulations, a competent electrician must carry out installation of this appliance.

The heater is fitted with a 1.2m length of flexible cable for connection to the fixed wiring of the premises through a suitable connection box incorporating a double pole isolating switch with a contact separation of at least 3mm, positioned adjacent to the heater.

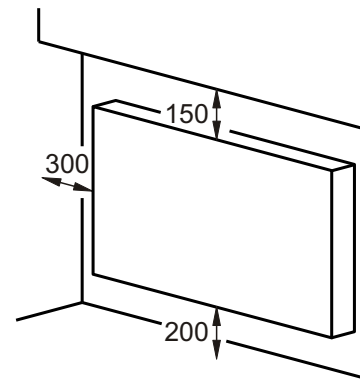
The black pilot control wire is designed only to carry a signal from a compatible remote programmer or switching device.

If the black pilot wire is not being used with a compatible programming or switching device it should be terminated and insulated within the fused spur.

WIRING DIAGRAM

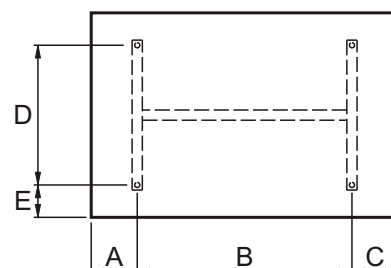


MINIMUM CLEARANCES

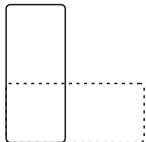
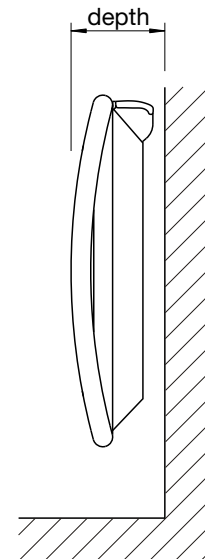
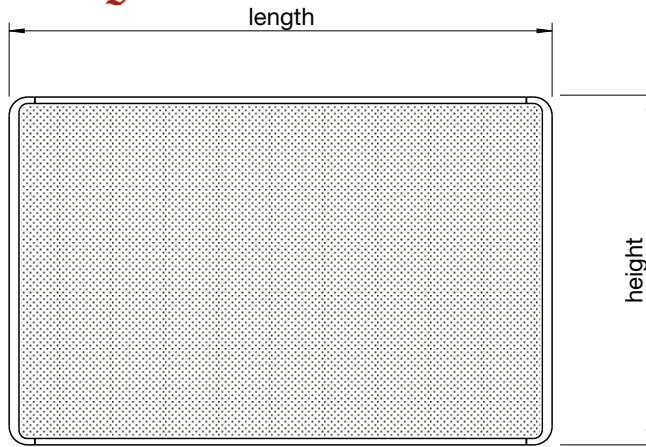


FIXING DIMENSIONS

viewed from front
cable entry on right










Model	A mm	B mm	C mm	D mm	E mm
MED 06	240	286	192	234	117
MED 08	243	402	192	234	117
MED 10	239	524	192	234	117
MED 14	239	680	292	234	117

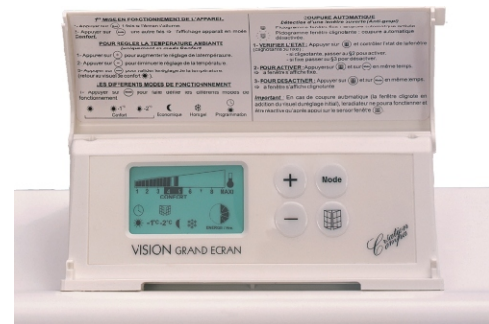


This radiator may be mounted horizontally or vertically, in which case the height & length dimensions should be transposed

MULTI-FUNCTION ELECTRONIC CONTROLS

The electronic controls for this appliance have been designed to give you maximum economy and comfort

-  **Program (clock):** the heater will run on the program being received through the pilot wire from one of our programming options
-  **Comfort:** the heater will maintain the set room temperature.
-  **Comfort -1°C:** the comfort temperature will drop by 1°C.
-  **Comfort -2°C:** the comfort temperature will drop by 2°C.
-  **Economy:** the heater will decrease in temperature by 4°C from comfort room temperature.
-  **Frost Protection:** the room temperature will not drop below 5°C. This is ideal when going on holiday or if a room is out of use for a period of time e.g. a conservatory
-  **Off:** the heater will not operate in the off position



THERMOSTAT

Use the thermostat dial to select your desired room temperature. The markings on the dial are in approximately 3.5°C increments. The maximum setting (10) is around 35°C which means the heater will normally remain on continuously. The easiest way to find your comfort setting is to turn the dial to maximum. When the temperature in the room has reached your ideal comfort level, turn the dial back until the thermostat switches off (the neon light will go out). **Leave at this setting** and the heater will operate as necessary to maintain this room temperature.

THERMOSTAT LIGHT

On = element heating Off = element reached required heating level

For greatest economy switch the heater to economy setback if you leave the room for long periods or before going to bed. Normally 16°C is the ideal set back temperature, allowing the room to reach comfort level again within a reasonable time.

Model	Rating Watt	Height mm	Length mm	Depth mm	Weight kg
COS 05	500	465	530	124	8
COS 08	750	465	530	124	8
COS 10	1000	465	724	124	10
COS 13	1250	465	843	124	11
COS 15	1500	465	961	124	13
COS 18	1750	465	1217	124	15
COS 20	2000	465	1217	124	15

POSITION

The appliance can be mounted in an horizontal or vertical position on the wall brackets supplied. Do not locate the heater immediately below a fixed socket outlet or connection box.

It is essential that you observe the minimum clearances as shown in the diagram below, particularly in regard to flammable objects.

BATHROOM INSTALLATION

These heaters are splash proof to IPX4 standard.

IMPORTANT

If the heater is installed in a room containing a bath or shower, it must be installed so that a person using a bath or shower cannot touch switches and other controls.

FIXING

Remove the wall-mounting bracket from the rear of the unit by depressing the clips at the top of the bracket with a screwdriver.

Fix wall bracket to wall through the four screw holes provided. (Three on some smaller output models).

To make it easier to obtain the minimum base of unit to floor clearance measurement of 50mm place the mounting bracket against the wall with the bottom clips on the floor and mark the lower holes drill position through the central holes.

ELECTRICAL CONNECTION

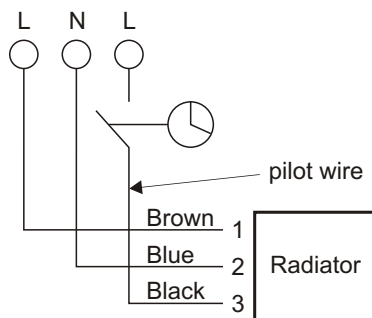
In accordance with IEE regulations, a competent electrician must carry out installation of this appliance.

The heater is fitted with a 1.2m length of flexible cable for connection to the fixed wiring of the premises through a suitable connection box incorporating a double pole isolating switch with a contact separation of at least 3mm, positioned adjacent to the heater.

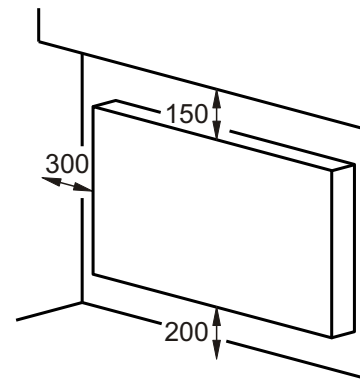
The black pilot control wire is designed only to carry a signal from a compatible remote programmer or switching device.

If the black pilot wire is not being used with a compatible programming or switching device it should be terminated and insulated within the fused spur.

WIRING DIAGRAM

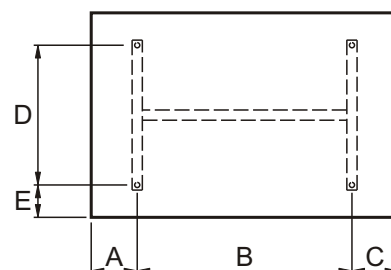


MINIMUM CLEARANCES



FIXING DIMENSIONS

viewed from front
cable entry on right



Model	A mm	B mm	C mm	D mm	E mm
COS 05	135	200	195	234	117
COS 08	135	200	195	234	117
COS 10	244	285	195	234	117
COS 13	246	402	195	234	117
COS 15	242	524	195	234	117
COS 18	242	780	195	234	117
COS 20	242	780	195	234	117