

**CONTROLS**

Features ½, 1 or 1½ hour boost and heat dial.  
Can also be run from a Central Programmer.

Style	Model	Rating Watt	Height mm	Length mm	Depth mm	Weight kg
Radiator	1702-1BB	500	1058	407	112	16.5
	1702-2BB	750	1472	407	112	22.5
Radiator & Fan Heater	1702-3BB	1000	1058	431	112	21.0
	1702-5BB	1500	1472	431	112	27.5
	1702-7BB	2000	1472	431	112	27.5

### POSITION

For maximum efficiency, this appliance should be positioned so that the emitting heat mixes with the maximum volume of air. Avoid positioning the radiator behind curtains or doors. Respect the minimum distances in relation to floor, walls, net curtains, etc. shown below. To avoid operating problems with the appliance the air grilles must not be partially or totally blocked .

### BATHROOM INSTALLATION

These heaters are splash proof to IPX4 standard.

### IMPORTANT

If the heater is installed in a room containing a bath or shower, it must be installed so that a person using a bath or shower cannot touch switches and other controls.

### FIXING

Use the wall bracket as a template to get a correct installation height: place the bracket on the floor and mark the wall through the hole (see "trou de centrage" on the drawing). Lift the bracket until the marking "repère d'installation" reaches the marking on the wall. Mark the 2 upper holes and the 2 lower holes. Fix the bracket using 4 screws 6mm diameter max. Hang the heater on the bracket and lock it (2 locks at the upper bracket).

### ELECTRICAL CONNECTION

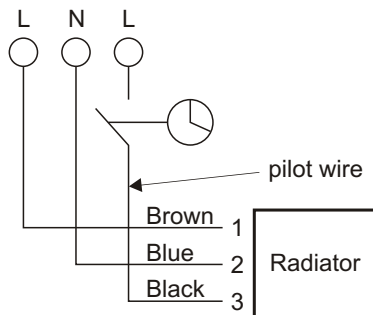
In accordance with IEE regulations, a competent electrician must carry out installation of this appliance.

The heater is fitted with a 1.2m length of flexible cable for connection to the fixed wiring of the premises through a suitable connection box incorporating a double pole isolating switch with a contact separation of at least 3mm, positioned adjacent to the heater.

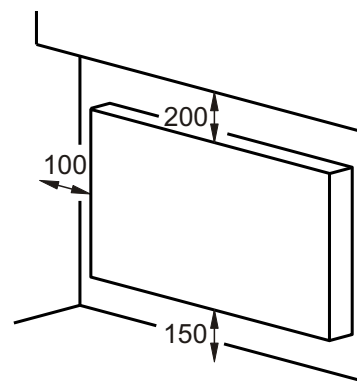
The black pilot control wire is designed only to carry a signal from a compatible remote programmer or switching device.

If the black pilot wire is not being used with a compatible programming or switching device it should be terminated and insulated within the fused spur.

### WIRING DIAGRAM

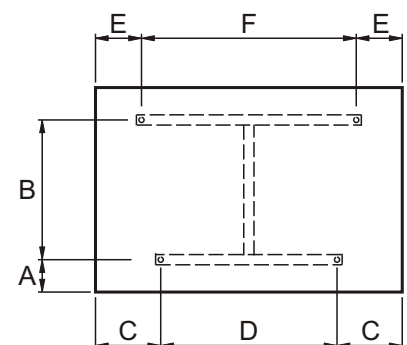


### MINIMUM CLEARANCES



### FIXING DIMENSIONS

viewed from front  
cable entry on right



Model	A mm	B mm	C mm	D mm	E mm	F mm
1702-1BB	16	875	103.5	200	63.5	280
1702-2BB	16	1289	103.5	200	63.5	280
1702-3BB	16	875	115.5	200	75.5	280
1702-5BB	16	1289	115.5	200	75.5	280
1702-7BB	16	1289	115.5	200	75.5	280