

1 CHARACTERISTICS

- 230 V ± 10%, 50 Hz power supply
- Clock back-up in the event of a mains power cut: 4 h (by capacitor).
Permanent back-up of programming
- Consumption: 1 VA
- Class II insulation
- Operating mode selector knob
- Choice of 4 continuous modes (Comfort, Economy, Frost Protection and Shutdown) and 1 customizable program per zone and per day
- **Override to automatic mode by zone** until next program change
- **Continuous or programmable Frost Protection:** duration adjustable from 1 to 99 days
- Digital display
- Room unit: 128 x 85 x 31 mm
- Wall mounting on flush-mount box or projecting
- Protection index : IP 30
- Installation in an environment with normal pollution levels

2 INSTALLATION

2.1 Selection of position

Micro DRIVER pilot wire can be installed anywhere in your home.
Nonetheless, it is better to have it close to hand for programming.

2.2 Mounting

To mount the unit on the wall, it must be separated from its support.

To do this, loosen the locking screw as shown opposite.

Once separated from the case, the support must be fixed to the wall with screws and plugs or on a flush-mounting box (distance between centres 60 mm) using the holes ❶ shown (Figure 1).

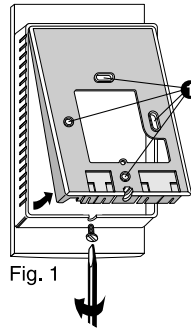


Fig. 1

To do this:

Unscrew the screw ❷ (Figure 2) to remove the terminal cover ❸.

Temporary partitions ❹ are provided for passing the connection wires through if necessary.

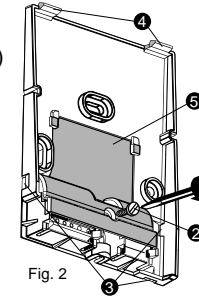
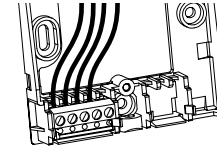


Fig. 2

2.3 Connection

- Connect the link wires
- Replace the terminal cover and immobilise it with the screw ❷ (Figure 2).



Then place the unit on its support, pressing the tabs ❹ (Figure 2) and pushing the unit until it is in place.

3 CONNECTION

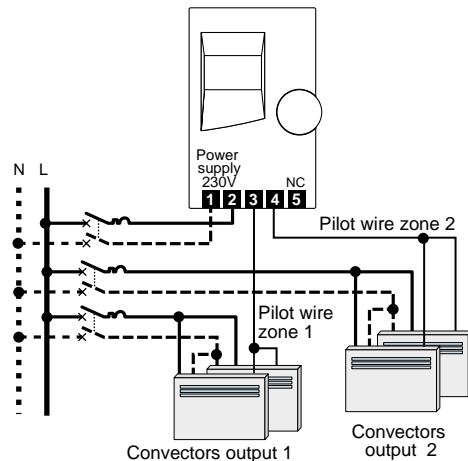
The diagram below shows the control of pilot wire convectors.

The connection principle is identical for radiant panels or thermostats for electric underfloor heating (Example: MINOR 2).

For clarity, the diagrams give only the general outline.
The protective devices and other accessories required by the standards are not shown.

- The UTE NF C15-100 standard and good practice must be complied with.
- Connected or nearby equipment must not generate excessive interference (directive 89/336/EEC).

Micro DRIVER 2H pilot wire



GUARANTEE

This thermostat has a 3-year guarantee from the date of purchase.

To benefit from the guarantee, you must enclose proof of purchase, bearing the date of purchase, when you return your faulty thermostat.

It covers the replacement of faulty parts, labour and return carriage to the customer.

The following are excluded from the guarantee :

- Pieces of equipment whose serial number has been damaged, modified or deleted
- thermostats that were not connected or used in accordance with the instructions given on the thermostat or in the guide
- thermostats modified without prior permission from the manufacturer
- thermostats damaged as a consequence of impacts.



Device complying with the requirements of the directives: 89/336/EEC (electromagnetic compatibility) and 73/23/EEC amended 93/68/EEC (low voltage safety).

Micro DRIVER 2H pilot wire One-week programmer for 2 pilot wire heating zones



2890165 Rev.1

E-mail : deltadore@deltadore.com
 Fax : +33 (0)2 99 73 44 87
 Tél. : +33 (0)2 99 73 45 17
 35270 COMBOURG
 Bonemaïn



