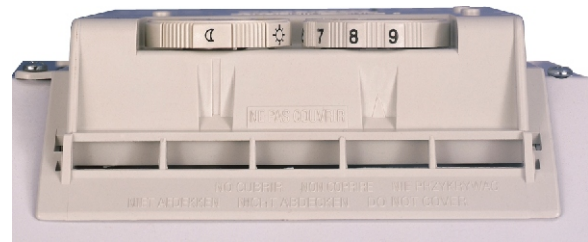


**MULTI-FUNCTION ELECTRONIC CONTROLS**

The electronic controls for this appliance have been designed to give you maximum economy and comfort

- ☾ **Economy:** Temperature reduction mode. Room temperature is reduced by 4°C.
- ☀ **Comfort:** Thermostat setting.
- OFF **Off**
- 🕒 **Programming:** when signalling through the pilot wire to a remote programmer or switching device.



**THERMOSTAT**

Use the thermostat dial to select your desired room temperature. The markings on the dial are in approximately 3.5°C increments. The maximum setting is around 35°C which means the heater will normally remain on continuously. The easiest way to find your comfort setting is to turn the dial to maximum. When the temperature in the room has reached your ideal comfort level, turn the dial back until the thermostat switches off (the neon light will go out).

**Leave at this setting** and the heater will operate as necessary to maintain this room temperature.

**THERMOSTAT LIGHT**

On = element heating    Off = element reached required heating level

**For greatest economy switch the heater to economy setback if you leave the room for long periods or before going to bed. Normally 16°C is the ideal set back temperature, allowing the room to reach comfort level again within a reasonable time.**

Model	Rating Watt	Height mm	Length mm	Depth mm	Weight kg
1319-1	500	440	340	100	3.4
1319-2	750	440	340	100	3.7
1319-3	1000	440	420	100	4.3
1319-4	1250	440	500	100	4.9
1319-5	1500	440	580	100	5.5
1319-6	1750	440	660	100	6.0
1319-7	2000	440	740	100	6.6

### POSITION

The appliance should be mounted in an horizontal position on the wall brackets supplied. It should only be operated when in the upright position with the control panel at the top.

Do not locate the heater immediately below a fixed socket outlet or connection box.

It is essential that you observe the minimum clearances as shown in the diagram below, particularly in regard to flammable objects.

### IMPORTANT

If the heater is installed in a room containing a bath or shower, it must be installed so that a person using a bath or shower cannot touch switches and other controls.

### FIXING

Remove the wall-mounting bracket from the rear of the unit by depressing the clips at the top of the bracket with a screwdriver.

Fix wall bracket to wall through the four screw holes provided. (Three on some smaller output models).

To make it easier to obtain the minimum base of unit to floor clearance measurement of 50mm place the mounting bracket against the wall with the bottom clips on the floor and mark the lower holes drill position through the central holes.

### ELECTRICAL CONNECTION

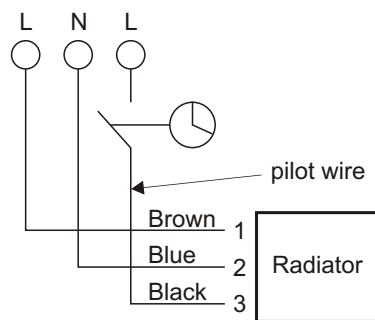
In accordance with IEE regulations, a competent electrician must carry out installation of this appliance.

The heater is fitted with a 1.2m length of flexible cable for connection to the fixed wiring of the premises through a suitable connection box incorporating a double pole isolating switch with a contact separation of at least 3mm, positioned adjacent to the heater.

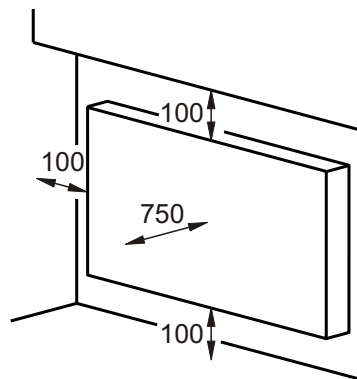
The black pilot control wire is designed only to carry a signal from a compatible remote programmer or switching device.

If the black pilot wire is not being used with a compatible programming or switching device it should be terminated and insulated within the fused spur.

### WIRING DIAGRAM

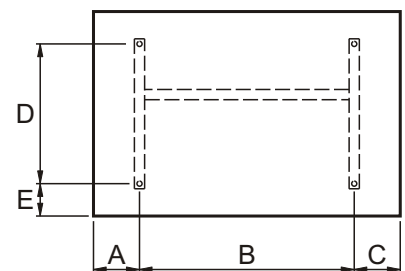
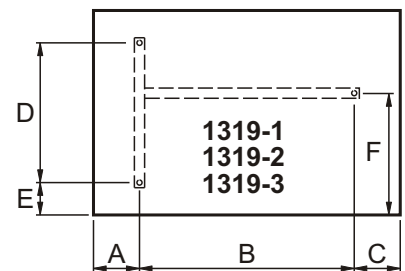


### MINIMUM CLEARANCES



### FIXING DIMENSIONS

viewed from front  
cable entry on right



Model	A mm	B mm	C mm	D mm	E mm	F mm
1319-1	90	135	115	289	26	150
1319-2	90	135	115	289	26	150
1319-3	90	215	115	289	26	150
1319-4	90	200	210	289	26	-
1319-5	90	280	210	289	26	-
1319-6	90	360	210	289	26	-
1319-7	90	440	210	289	26	-