

fixing centres

All dimensions shown are in millimetres

All steel construction: **dia 19mm, 25mm x 32mm tubes**

Connections: **1.2m long flying lead (3 core)**

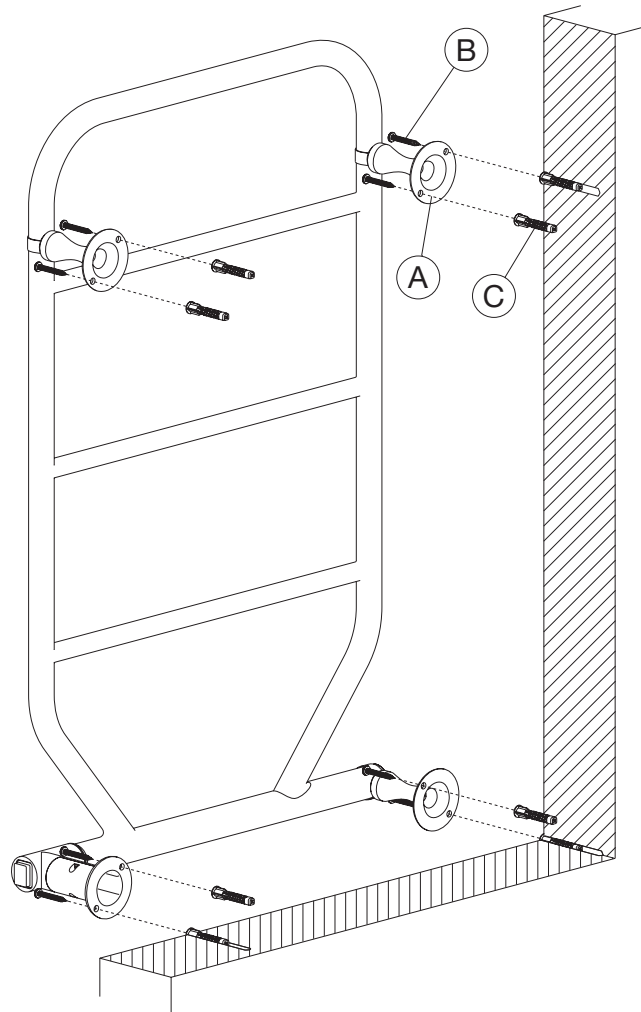
Immersion heater rating: **IPX4 or better**

Model	Output at 230V Watts	Output at 230V BTU	Weight kg	Height ± 2mm	Length ± 2mm
LX 80-50	80	273	5.4	800	525

Tools & Material Required

- Tape measure
- Screwdriver - crosshead
- Electric drill
- Masonry drill bit - 8mm diameter
- Spirit level

Key	Component	Qty
A	Bracket	1
B	Screw	8
C	Wall Plug	8



Assembly Instructions

Accurately mark out bracket holes on wall to dimensions as shown on Technical Data Sheet.

Drill eight 8mm diameter holes to a minimum depth of 40mm & insert wall plugs (C).

Screw bracket (A) into wall plugs (C) with screws (B).

Electric radiators should be fitted only by a qualified electrician and must be earthed and connected to a cable outlet in the bathroom in accordance with I.E.E. wiring regulations. The electrical connection should be made to a '5 amp fused fixed spur' located outside the bathroom.

Note: for maintenance purposes, cable outlets must remain accessible and cables must not be buried directly into walls.