




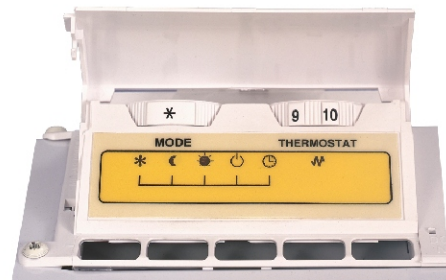


MULTI-FUNCTION ELECTRONIC CONTROLS

The electronic controls for this appliance have been designed to give you maximum economy and comfort

-  **Frost protection:** the convector switches on when the temperature falls to around 7°C. Gives maximum economy with no risk of freezing pipes or condensation for long periods of absence
-  **Economy:** Temperature reduction mode. Room temperature is reduced by 4°C.
-  **Comfort:** Thermostat setting between 1-9 (5°-35°C).
-  **Off**
-  **Programming:** when signalling through the pilot wire to a remote programmer or switching device.




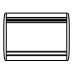
THERMOSTAT

Use the thermostat dial to select your desired room temperature. The markings on the dial are in approximately 3.5°C increments. The maximum setting (9) is around 35°C which means the heater will normally remain on continuously. The easiest way to find your comfort setting is to turn the dial to maximum. When the temperature in the room has reached your ideal comfort level, turn the dial back until the thermostat switches off (the neon light will go out). **Leave at this setting** and the heater will operate as necessary to maintain this room temperature.

THERMOSTAT LIGHT

On = element heating Off = element reached required heating level

For greatest economy switch the heater to economy setback if you leave the room for long periods or before going to bed. Normally 16°C is the ideal set back temperature, allowing the room to reach comfort level again within a reasonable time.

Style	Model	Rating Watt	Height mm	Length mm	Depth mm	Weight kg
	DU731D-2	750	400	769	107	5.7
	DU731D-3	1000	400	929	107	6.4
	DU731D-5	1500	400	1169	107	7.9
	DU730D-1	500	470	409	107	5.3
	DU730D-2	750	470	409	107	5.3
	DU730D-3	1000	470	489	107	5.9
	DU730D-4	1250	470	569	107	6.5
	DU730D-5	1500	470	649	107	7.1
	DU730D-6	1750	470	769	107	7.7
	DU730D-7	2000	470	849	107	8.3

POSITION

The appliance should be mounted in an horizontal position on the wall brackets supplied. It should only be operated when in the upright position with the control panel at the top.

Do not locate the heater immediately below a fixed socket outlet or connection box.

It is essential that you observe the minimum clearances as shown in the diagram below, particularly in regard to flammable objects.

BATHROOM INSTALLATION

These heaters are splash proof to IP24 standard.

IMPORTANT

If the heater is installed in a room containing a bath or shower, it must be installed so that a person using a bath or shower cannot touch switches and other controls.

FIXING

Remove the wall-mounting bracket from the rear of the unit by depressing the clips at the top of the bracket with a screwdriver.

Fix wall bracket to wall through the four screw holes provided. (Three on some smaller output models).

To make it easier to obtain the minimum base of unit to floor clearance measurement of 50mm place the mounting bracket against the wall with the bottom clips on the floor and mark the lower holes drill position through the central holes.

ELECTRICAL CONNECTION

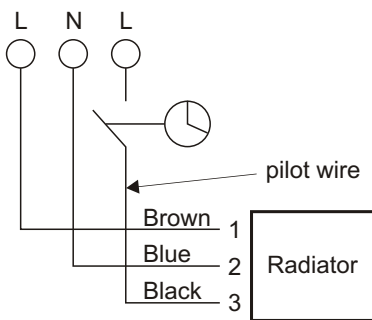
In accordance with IEE regulations, a competent electrician must carry out installation of this appliance.

The heater is fitted with a 1.2m length of flexible cable for connection to the fixed wiring of the premises through a suitable connection box incorporating a double pole isolating switch with a contact separation of at least 3mm, positioned adjacent to the heater.

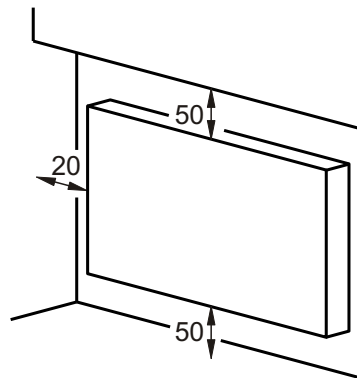
The black pilot control wire is designed only to carry a signal from a compatible remote programmer or switching device.

If the black pilot wire is not being used with a compatible programming or switching device it should be terminated and insulated within the fused spur.

WIRING DIAGRAM

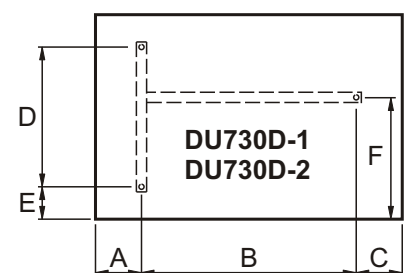


MINIMUM CLEARANCES



FIXING DIMENSIONS

viewed from front
cable entry on right



Model	A mm	B mm	C mm	D mm	E mm	F mm
DU731D-2	?	?	?	?	?	?
DU731D-3	?	?	?	?	?	?
DU731D-5	?	?	?	?	?	?
DU730D-1	112	156	141	258	70	174
DU730D-2	112	156	141	258	70	174
DU730D-3	84	178	227	256	70	-
DU730D-4	94	248	227	256	70	-
DU730D-5	102	320	227	256	70	-
DU730D-6	137	405	227	256	70	-
DU730D-7	217	405	227	256	70	-

