






**MULTI-FUNCTION ELECTRONIC CONTROLS**

The electronic controls for this appliance have been designed to give you maximum economy and comfort

-  **Frost protection:** the convector switches on when the temperature falls to around 7°C. Gives maximum economy with no risk of freezing pipes or condensation for long periods of absence
-  **Economy:** Temperature reduction mode. Room temperature is reduced by 4°C.
-  **Comfort:** Thermostat setting between 1-10.
-  **Off/On**
-  **Programming:** when signalling through the pilot wire to a remote programmer or switching device.





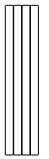
**THERMOSTAT**

Use the thermostat dial to select your desired room temperature. The markings on the dial are in approximately 3.5°C increments. The maximum setting (10) is around 35°C which means the heater will normally remain on continuously. The easiest way to find your comfort setting is to turn the dial to maximum. When the temperature in the room has reached your ideal comfort level, turn the dial back until the thermostat switches off (the neon light will go out). **Leave at this setting** and the heater will operate as necessary to maintain this room temperature.

**THERMOSTAT LIGHT**

On = element heating    Off = element reached required heating level

**For greatest economy switch the heater to economy setback if you leave the room for long periods or before going to bed. Normally 16°C is the ideal set back temperature, allowing the room to reach comfort level again within a reasonable time.**

Style		Model	Rating Watt	Height mm	Length mm	Depth mm	Weight kg
Low		1192-2	750	390	494	133	?
		1192-3	1000	390	660	133	?
		1192-5	1500	390	909	133	?
Medium		1190-2	750	570	411	133	11
		1190-3	1000	570	494	133	14
		1190-4	1250	570	660	133	19
		1190-5	1500	570	660	133	19
		1190-7	2000	570	909	133	24
Tall		1191-3	1000	1000	328	133	30
		1191-5	1500	1485	328	133	30
		1191-7	2000	1485	411	133	40

### POSITION

For maximum efficiency, this appliance should be positioned so that the emitting heat mixes with the maximum volume of air. Avoid positioning the radiator behind curtains or doors. Respect the minimum distances in relation to floor, walls, net curtains, etc. shown below. To avoid operating problems with the appliance the air grilles must not be partially or totally blocked .

### BATHROOM INSTALLATION

These heaters are splash proof to IPX4 standard.

### IMPORTANT

If the heater is installed in a room containing a bath or shower, it must be installed so that a person using a bath or shower cannot touch switches and other controls.

### FIXING

Remove the wall-mounting bracket from the rear of the unit by depressing the clips at the top of the bracket with a screwdriver.

Fix wall bracket to wall through the screw holes provided.

Hold the unit, tilting it forward by about 10°. Lift gently and insert the lower hooks into the wall bracket. Hook the two chains into the matching holes. Lift gently and insert the upper hooks. Lock the appliance by tightening the central screw in the bracket..

### ELECTRICAL CONNECTION

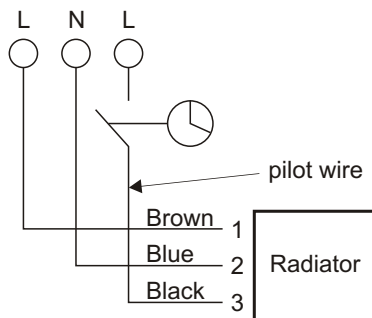
In accordance with IEE regulations, a competent electrician must carry out installation of this appliance.

The heater is fitted with a 1.2m length of flexible cable for connection to the fixed wiring of the premises through a suitable connection box incorporating a double pole isolating switch with a contact separation of at least 3mm, positioned adjacent to the heater.

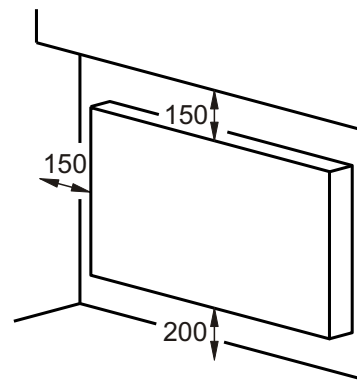
The black pilot control wire is designed only to carry a signal from a compatible remote programmer or switching device.

If the black pilot wire is not being used with a compatible programming or switching device it should be terminated and insulated within the fused spur.

### WIRING DIAGRAM



### MINIMUM CLEARANCES



Model	A mm	B mm	C mm	D mm	E mm
1192-2	?	?	?	?	?
1192-3	?	?	?	?	?
1192-5	?	?	?	?	?
1190-2	108	160	143	396	77
1190-3	139	200	155	396	77
1190-4	180	300	180	396	77
1190-5	180	300	180	396	77
1190-7	205	500	205	396	77
1191-3	64	200	64	628	77
1191-5	64	200	64	1292	77
1191-7	105	200	105	1292	77

### FIXING DIMENSIONS

viewed from front  
cable entry on right

