

All dimensions shown are in millimetres

All steel construction: **dia 19mm, 25mm x 32mm tubes**

Connections: **1.2m long flying lead (3 core)**

Immersion heater rating: **IPX4 or better**

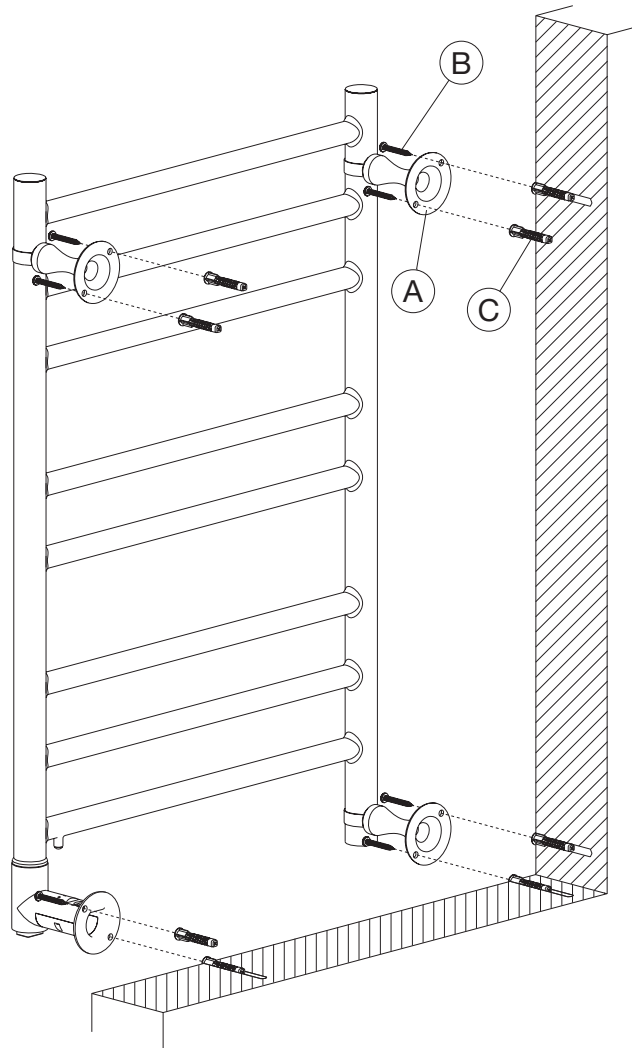
| <b>Model</b>    | <b>Output<br/>at 230V<br/>Watts</b> | <b>Output<br/>at 230V<br/>BTU</b> | <b>Weight<br/>kg</b> | <b>Height<br/>± 2mm</b> | <b>Length<br/>± 2mm</b> |
|-----------------|-------------------------------------|-----------------------------------|----------------------|-------------------------|-------------------------|
| <b>CRT 08</b>   | 100                                 | 341                               | 7.0                  | 775                     | 500                     |
| <b>CRT 11</b>   | 140                                 | 478                               | 9.0                  | 1000                    | 500                     |
| <b>CRT 14</b>   | 175                                 | 597                               | 12.5                 | 1200                    | 600                     |
| <b>CRT 350*</b> | 80                                  | 273                               | 7.0                  | 1000                    | 350                     |

\*CRT 350 is available on special request

**Tools & Material Required**

Tape measure  
Screwdriver - crosshead  
Electric drill  
Masonry drill bit - 8mm diameter  
Spirit level

| Key | Component | Qty |
|-----|-----------|-----|
| A   | Bracket   | 1   |
| B   | Screw     | 8   |
| C   | Wall Plug | 8   |



**Assembly Instructions**

Place the towel rail against the wall in the desired position and mark the positions of the screw holes onto the wall.

Drill eight 8mm diameter holes to a minimum depth of 40mm & insert wall plugs (C).

Screw bracket (A) into wall plugs (C) with screws (B).

Electric radiators should be fitted only by a qualified electrician and must be earthed and connected to a cable outlet in the bathroom in accordance with I.E.E. wiring regulations. The electrical connection should be made to a '5 amp fused fixed spur' located outside the bathroom.

*Note: for maintenance purposes, cable outlets must remain accessible and cables must not be buried directly into walls.*