

MULTI-FUNCTION ELECTRONIC CONTROLS

The electronic controls for this appliance have been designed to give you maximum economy and comfort

L / N Surface Temperature: when the heater is switched to L (low) the surface temperature will not exceed 45°C and when switched to N (normal) will not exceed 60°C

Off: the heater will not operate in the off position

PROG Program (clock): the heater will run on the program being received through the pilot wire from one of our programming options

ECO Economy: the heater will decrease in temperature by 4°C from comfort room temperature.

CONF Comfort: the heater will maintain the set room temperature.

Frost Protection: the room temperature will not drop below 5°C. This is ideal when going on holiday or if a room is out of use for a period of time e.g. a conservatory



THERMOSTAT

Use the thermostat dial to select your desired room temperature. The markings on the dial are in approximately 7°C increments. The maximum setting (5) is around 35°C which means the heater will normally remain on continuously. The easiest way to find your comfort setting is to turn the dial to maximum. When the temperature in the room has reached your ideal comfort level, turn the dial back until the thermostat switches off (the neon light will go out).

Leave at this setting and the heater will operate as necessary to maintain this room temperature.

THERMOSTAT LIGHT

On = element heating Off = element reached required heating level

For greatest economy switch the heater to economy setback if you leave the room for long periods or before going to bed. Normally 16°C is the ideal set back temperature, allowing the room to reach comfort level again within a reasonable time.

Model	Rating Watt	Height mm	Length mm	Depth mm	Weight kg
SET 304	400	300	800	70	8
SET 306	600	300	1200	70	11
SET 308	800	300	1600	70	15
SET 310	1000	300	2000	70	19
SET 312	1200	300	2400	70	22

POSITION

The appliance should be mounted in an horizontal position on the wall brackets supplied.
Do not locate the heater immediately below a fixed socket outlet or connection box.

It is essential that you observe the minimum clearances as shown in the diagram below, particularly in regard to flammable objects.

BATHROOM INSTALLATION

These heaters are splash proof to IP32 standard.

IMPORTANT

If the heater is installed in a room containing a bath or shower, it must be installed so that a person using a bath or shower cannot touch switches and other controls.

FIXING

Mark out the distance between the brackets as shown in the table and in the drawings below. Next mark the holes to be drilled and secure the supports using a suitable fastening for the type of wall. Refit the spring locking device in its upper position, locate the brackets on the notches and then press the top of the radiator towards the wall until the fixing system engages on the brackets. The thermostat housing must always be at the bottom, as close as possible to the floor.

ELECTRICAL CONNECTION

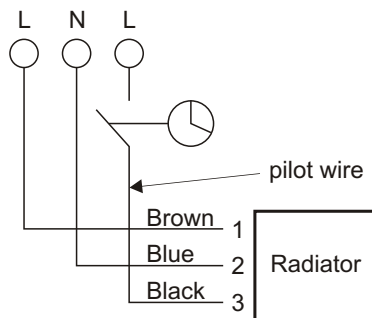
In accordance with IEE regulations, a competent electrician must carry out installation of this appliance.

The heater is fitted with a 1.2m length of flexible cable for connection to the fixed wiring of the premises through a suitable connection box incorporating a double pole isolating switch with a contact separation of at least 3mm, positioned adjacent to the heater.

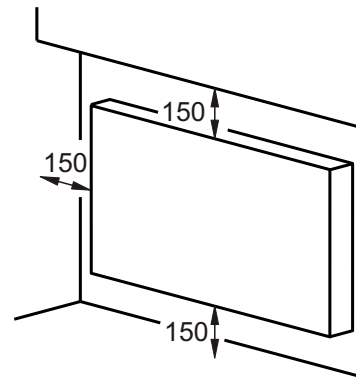
The black pilot control wire is designed only to carry a signal from a compatible remote programmer or switching device.

If the black pilot wire is not being used with a compatible programming or switching device it should be terminated and insulated within the fused spur.

WIRING DIAGRAM

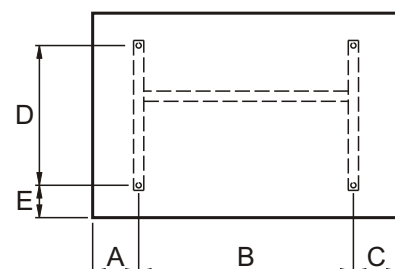


MINIMUM CLEARANCES

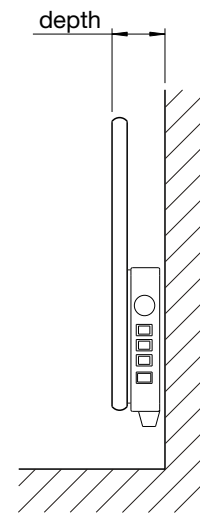
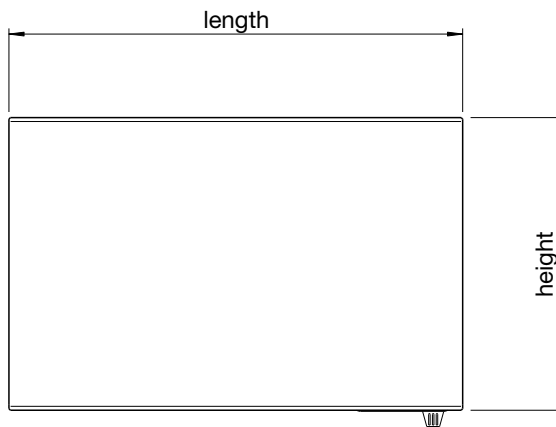


FIXING DIMENSIONS

viewed from front
cable entry on right





Model	A mm	B mm	C mm	D mm	E mm
SET 304	245	310	245	70	75
SET 306	255	705	240	70	75
SET 308	245	1105	250	70	75
SET 310	250	1500	250	70	70
SET 312	250	1900	250	70	75



MULTI-FUNCTION ELECTRONIC CONTROLS

The electronic controls for this appliance have been designed to give you maximum economy and comfort

- L / N** **Surface Temperature:** when the heater is switched to L (low) the surface temperature will not exceed 45°C and when switched to N (normal) will not exceed 60°C
-  **Off:** the heater will not operate in the off position
- PROG** **Program (clock):** the heater will run on the program being received through the pilot wire from one of our programming options
- ECO** **Economy:** the heater will decrease in temperature by 4°C from comfort room temperature.
- CONF** **Comfort:** the heater will maintain the set room temperature.
-  **Frost Protection:** the room temperature will not drop below 5°C. This is ideal when going on holiday or if a room is out of use for a period of time e.g. a conservatory



THERMOSTAT

Use the thermostat dial to select your desired room temperature. The markings on the dial are in approximately 7°C increments. The maximum setting (5) is around 35°C which means the heater will normally remain on continuously. The easiest way to find your comfort setting is to turn the dial to maximum. When the temperature in the room has reached your ideal comfort level, turn the dial back until the thermostat switches off (the neon light will go out).

Leave at this setting and the heater will operate as necessary to maintain this room temperature.

THERMOSTAT LIGHT

On = element heating Off = element reached required heating level

For greatest economy switch the heater to economy setback if you leave the room for long periods or before going to bed. Normally 16°C is the ideal set back temperature, allowing the room to reach comfort level again within a reasonable time.

Model	Rating Watt	Height mm	Length mm	Depth mm	Weight kg
SET 404	400	400	600	70	8
SET 406	600	400	900	70	11
SET 408	800	400	1200	70	15
SET 410	1000	400	1500	70	19
SET 412	1200	400	1800	70	22

POSITION

The appliance should be mounted in an horizontal position on the wall brackets supplied.
Do not locate the heater immediately below a fixed socket outlet or connection box.

It is essential that you observe the minimum clearances as shown in the diagram below, particularly in regard to flammable objects.

BATHROOM INSTALLATION

These heaters are splash proof to IP32 standard.

IMPORTANT

If the heater is installed in a room containing a bath or shower, it must be installed so that a person using a bath or shower cannot touch switches and other controls.

FIXING

Mark out the distance between the brackets as shown in the table and in the drawings below. Next mark the holes to be drilled and secure the supports using a suitable fastening for the type of wall. Refit the spring locking device in its upper position, locate the brackets on the notches and then press the top of the radiator towards the wall until the fixing system engages on the brackets. The thermostat housing must always be at the bottom, as close as possible to the floor.

ELECTRICAL CONNECTION

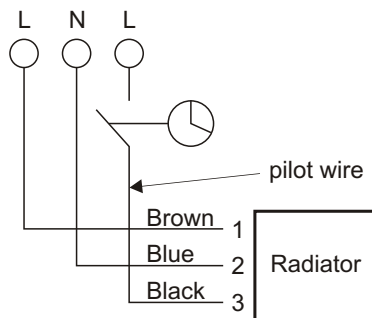
In accordance with IEE regulations, a competent electrician must carry out installation of this appliance.

The heater is fitted with a 1.2m length of flexible cable for connection to the fixed wiring of the premises through a suitable connection box incorporating a double pole isolating switch with a contact separation of at least 3mm, positioned adjacent to the heater.

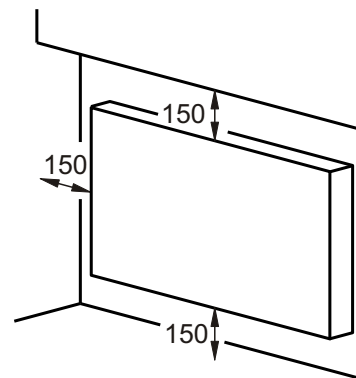
The black pilot control wire is designed only to carry a signal from a compatible remote programmer or switching device.

If the black pilot wire is not being used with a compatible programming or switching device it should be terminated and insulated within the fused spur.

WIRING DIAGRAM

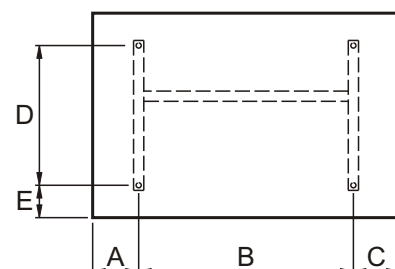


MINIMUM CLEARANCES

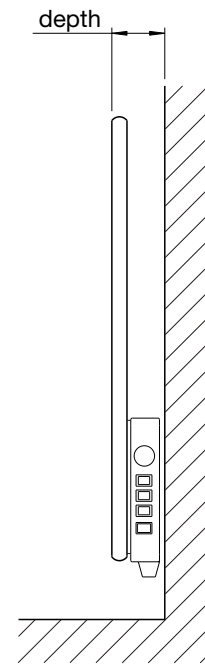
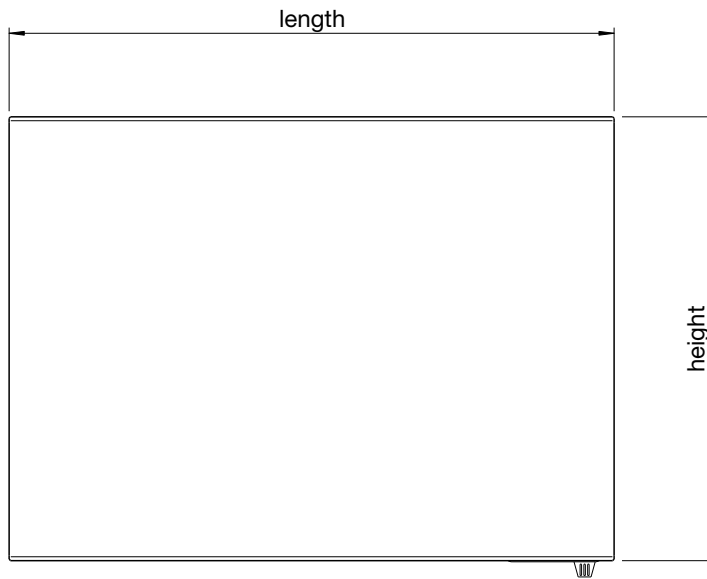


FIXING DIMENSIONS

viewed from front
cable entry on right





Model	A mm	B mm	C mm	D mm	E mm
SET 404	170	235	195	70	90
SET 406	225	445	230	70	75
SET 408	180	795	225	70	80
SET 410	195	1110	195	70	80
SET 412	185	1390	225	70	75



MULTI-FUNCTION ELECTRONIC CONTROLS

The electronic controls for this appliance have been designed to give you maximum economy and comfort

- L / N** **Surface Temperature:** when the heater is switched to L (low) the surface temperature will not exceed 45°C and when switched to N (normal) will not exceed 60°C
-  **Off:** the heater will not operate in the off position
- PROG** **Program (clock):** the heater will run on the program being received through the pilot wire from one of our programming options
- ECO** **Economy:** the heater will decrease in temperature by 4°C from comfort room temperature.
- CONF** **Comfort:** the heater will maintain the set room temperature.
-  **Frost Protection:** the room temperature will not drop below 5°C. This is ideal when going on holiday or if a room is out of use for a period of time e.g. a conservatory



THERMOSTAT

Use the thermostat dial to select your desired room temperature. The markings on the dial are in approximately 7°C increments. The maximum setting (5) is around 35°C which means the heater will normally remain on continuously. The easiest way to find your comfort setting is to turn the dial to maximum. When the temperature in the room has reached your ideal comfort level, turn the dial back until the thermostat switches off (the neon light will go out).

Leave at this setting and the heater will operate as necessary to maintain this room temperature.

THERMOSTAT LIGHT

On = element heating Off = element reached required heating level

For greatest economy switch the heater to economy setback if you leave the room for long periods or before going to bed. Normally 16°C is the ideal set back temperature, allowing the room to reach comfort level again within a reasonable time.

Model	Rating Watt	Height mm	Length mm	Depth mm	Weight kg
SET 604	400	600	400	70	8
SET 606	600	600	600	70	11
SET 608	800	600	800	70	15
SET 610	1000	600	1000	70	19
SET 612	1200	600	1200	70	22

POSITION

The appliance should be mounted in an horizontal position on the wall brackets supplied. Do not locate the heater immediately below a fixed socket outlet or connection box.

It is essential that you observe the minimum clearances as shown in the diagram below, particularly in regard to flammable objects.

BATHROOM INSTALLATION

These heaters are splash proof to IP32 standard.

IMPORTANT

If the heater is installed in a room containing a bath or shower, it must be installed so that a person using a bath or shower cannot touch switches and other controls.

FIXING

Mark out the distance between the brackets as shown in the table and in the drawings below. Next mark the holes to be drilled and secure the supports using a suitable fastening for the type of wall. Refit the spring locking device in its upper position, locate the brackets on the notches and then press the top of the radiator towards the wall until the fixing system engages on the brackets. The thermostat housing must always be at the bottom, as close as possible to the floor.

ELECTRICAL CONNECTION

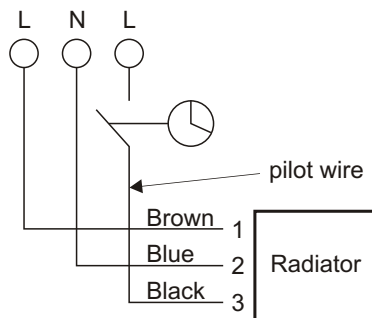
In accordance with IEE regulations, a competent electrician must carry out installation of this appliance.

The heater is fitted with a 1.2m length of flexible cable for connection to the fixed wiring of the premises through a suitable connection box incorporating a double pole isolating switch with a contact separation of at least 3mm, positioned adjacent to the heater.

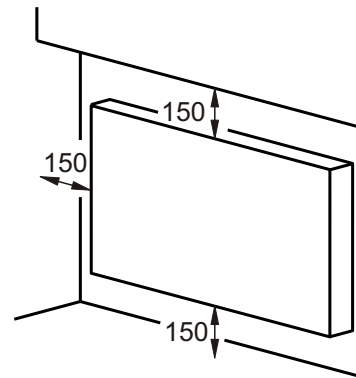
The black pilot control wire is designed only to carry a signal from a compatible remote programmer or switching device.

If the black pilot wire is not being used with a compatible programming or switching device it should be terminated and insulated within the fused spur.

WIRING DIAGRAM

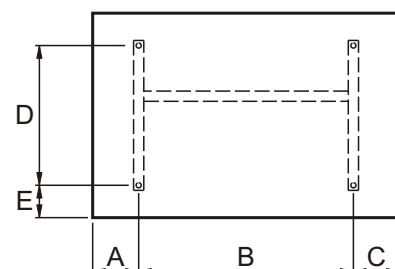


MINIMUM CLEARANCES

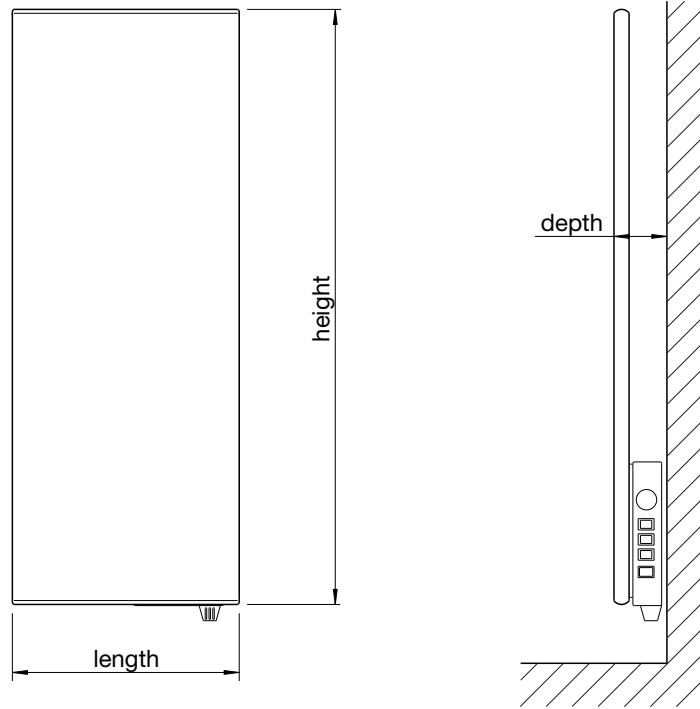


FIXING DIMENSIONS

viewed from front
cable entry on right





Model	A mm	B mm	C mm	D mm	E mm
SET 604	75	110	215	370	80
SET 606	180	205	215	370	75
SET 608	175	410	215	370	75
SET 610	180	595	225	370	80
SET 612	180	805	215	370	80



MULTI-FUNCTION ELECTRONIC CONTROLS

The electronic controls for this appliance have been designed to give you maximum economy and comfort

- L / N** **Surface Temperature:** when the heater is switched to L (low) the surface temperature will not exceed 45°C and when switched to N (normal) will not exceed 60°C
-  **Off:** the heater will not operate in the off position
- PROG** **Program (clock):** the heater will run on the program being received through the pilot wire from one of our programming options
- ECO** **Economy:** the heater will decrease in temperature by 4°C from comfort room temperature.
- CONF** **Comfort:** the heater will maintain the set room temperature.
-  **Frost Protection:** the room temperature will not drop below 5°C. This is ideal when going on holiday or if a room is out of use for a period of time e.g. a conservatory



THERMOSTAT

Use the thermostat dial to select your desired room temperature. The markings on the dial are in approximately 7°C increments. The maximum setting (5) is around 35°C which means the heater will normally remain on continuously. The easiest way to find your comfort setting is to turn the dial to maximum. When the temperature in the room has reached your ideal comfort level, turn the dial back until the thermostat switches off (the neon light will go out).

Leave at this setting and the heater will operate as necessary to maintain this room temperature.

THERMOSTAT LIGHT

On = element heating Off = element reached required heating level

For greatest economy switch the heater to economy setback if you leave the room for long periods or before going to bed. Normally 16°C is the ideal set back temperature, allowing the room to reach comfort level again within a reasonable time.

Model	Rating Watt	Height mm	Length mm	Depth mm	Weight kg
SET 30804	400	800	300	70	8
SET 31206	600	1200	300	70	11
SET 31608	800	1600	300	70	15
SET 32010	1000	2000	300	70	19
SET 32412	1200	2400	300	70	22
SET 40906	600	900	400	70	11
SET 41510	1000	1500	400	70	19
SET 41812	1200	1800	400	70	22

POSITION

The appliance should be mounted in an horizontal position on the wall brackets supplied.
Do not locate the heater immediately below a fixed socket outlet or connection box.

It is essential that you observe the minimum clearances as shown in the diagram below, particularly in regard to flammable objects.

BATHROOM INSTALLATION

These heaters are splash proof to IP32 standard.

IMPORTANT

If the heater is installed in a room containing a bath or shower, it must be installed so that a person using a bath or shower cannot touch switches and other controls.

FIXING

Mark out the distance between the brackets as shown in the table and in the drawings below. Next mark the holes to be drilled and secure the supports using a suitable fastening for the type of wall. Refit the spring locking device in its upper position, locate the brackets on the notches and then press the top of the radiator towards the wall until the fixing system engages on the brackets. The thermostat housing must always be at the bottom, as close as possible to the floor.

ELECTRICAL CONNECTION

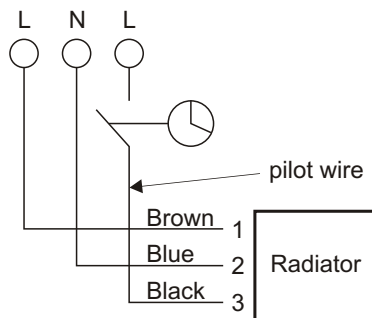
In accordance with IEE regulations, a competent electrician must carry out installation of this appliance.

The heater is fitted with a 1.2m length of flexible cable for connection to the fixed wiring of the premises through a suitable connection box incorporating a double pole isolating switch with a contact separation of at least 3mm, positioned adjacent to the heater.

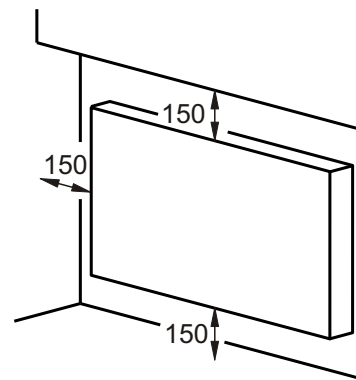
The black pilot control wire is designed only to carry a signal from a compatible remote programmer or switching device.

If the black pilot wire is not being used with a compatible programming or switching device it should be terminated and insulated within the fused spur.

WIRING DIAGRAM

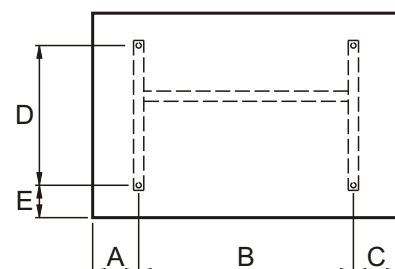


MINIMUM CLEARANCES



FIXING DIMENSIONS

viewed from front
cable entry on right



Model	A mm	B mm	C mm	D mm	E mm
SET 30804	80	145	75	189	265
SET 31206	75	145	80	591	265
SET 31608	75	140	85	987	280
SET 32010	80	145	75	1381	275
SET 32412	80	145	75	1777	275
SET 40906	85	220	95	370	295
SET 41510	90	220	90	987	280
SET 41812	90	215	95	987	305