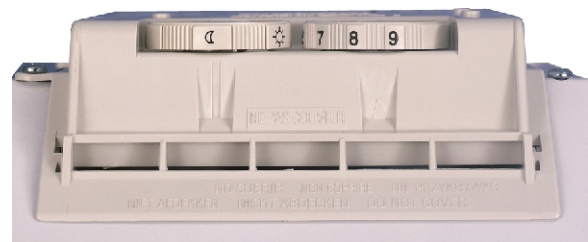


MULTI-FUNCTION ELECTRONIC CONTROLS

The electronic controls for this appliance have been designed to give you maximum economy and comfort

- ☾ **Economy:** Temperature reduction mode. Room temperature is reduced by 4°C.
- ☀ **Comfort:** Thermostat setting.
- OFF **Off**
- 🕒 **Programming:** when signalling through the pilot wire to a remote programmer or switching device.



THERMOSTAT

Use the thermostat dial to select your desired room temperature. The markings on the dial are in approximately 3.5°C increments. The maximum setting is around 35°C which means the heater will normally remain on continuously. The easiest way to find your comfort setting is to turn the dial to maximum. When the temperature in the room has reached your ideal comfort level, turn the dial back until the thermostat switches off (the neon light will go out).

Leave at this setting and the heater will operate as necessary to maintain this room temperature.

THERMOSTAT LIGHT

On = element heating Off = element reached required heating level

For greatest economy switch the heater to economy setback if you leave the room for long periods or before going to bed. Normally 16°C is the ideal set back temperature, allowing the room to reach comfort level again within a reasonable time.

Model	Rating Watt	Height mm	Length mm	Depth mm	Weight kg
7372-1	500	608	545	130	8.7
7372-2	750	608	680	130	10.6
7372-3	1000	608	840	130	12.5
7372-5	1500	608	1000	130	14.8
7372-7	2000	608	1270	130	18.3

POSITION

The appliance should be mounted in an horizontal position on the wall brackets supplied.

For maximum efficiency this appliance should be positioned so that the heat given off mixes with the maximum volume of air. It can be installed in all rooms, including damp situations in bathrooms, outside of the restricted zones in accordance with current regulations.

If the appliance is installed in a bathroom, it must be located in a position where a person in the bath or shower cannot touch the controls. A 30mA circuit breaker should protect the power supply.

IMPORTANT

The air inlet and outlet grilles must not be partially or totally blocked to avoid operating problems or damage to the appliance.

BATHROOM INSTALLATION

These heaters are splash proof to IP24 standard.

FIXING

Remove the wall-mounting bracket from the packaging and fix it to the wall with 4 screws.

To make it easier to obtain the minimum base of unit to floor clearance measurement, place the mounting bracket against the wall with the bottom clips on the floor and mark the lower holes drill position through the central holes. Having fixed the mounting bracket to the wall, hang the appliance on the upper hooks of the mounting bracket by slipping the appliance over the hooks from the top to the bottom. Line up the lower holes and hooks on the bracket to meet exactly. Fix the appliance on its mounting bracket using the 2 screws that were removed from the appliance.

ELECTRICAL CONNECTION

In accordance with IEE regulations, a competent electrician must carry out installation of this appliance.

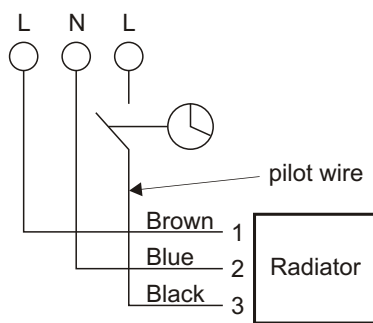
The heater is fitted with a 1.2m length of flexible cable for connection to the fixed wiring of the premises through a suitable connection box incorporating a double pole isolating switch with a contact separation of at least 3mm, positioned adjacent to the heater.

The flexible wire should be connected into a fused spur box to the mains.

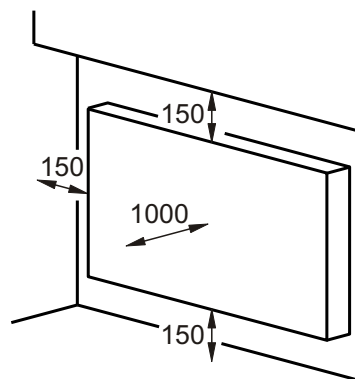
The black pilot control wire is designed only to carry a signal from a compatible remote programmer or switching device.

If the black pilot wire is not being used with a compatible programming or switching device it should be terminated and insulated within the fused spur.

WIRING DIAGRAM

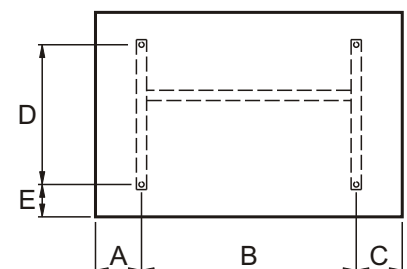


MINIMUM CLEARANCES



FIXING DIMENSIONS

viewed from front
cable entry on right



Model	A mm	B mm	C mm	D mm	E mm
7372-1	143	160	242	257	157
7372-2	143	295	242	257	157
7372-3	184	414	242	257	157
7372-5	240	518	242	257	157
7372-7	240	788	242	257	157