






**MULTI-FUNCTION ELECTRONIC CONTROLS**

The electronic controls for this appliance have been designed to give you maximum economy and comfort

-  **Off:** the heater will not operate in the off position
-  **Program (clock):** the heater will run on the program being received through the pilot wire from one of our programming options
-  **Comfort:** the heater will maintain the set room temperature.
-  **Economy:** the heater will decrease in temperature by 4°C from comfort room temperature.
-  **Frost Protection:** the room temperature will not drop below 5°C. This is ideal when going on holiday or if a room is out of use for a period of time e.g. a conservatory



**THERMOSTAT**



Use the thermostat dial to select your desired room temperature. The markings on the dial are in approximately 3.5°C increments. The maximum setting (10) is around 35°C which means the heater will normally remain on continuously. The easiest way to find your comfort setting is to turn the dial to maximum. When the temperature in the room has reached your ideal comfort level, turn the dial back until the thermostat switches off (the neon light will go out).

**Leave at this setting** and the heater will operate as necessary to maintain this room temperature.

**THERMOSTAT LIGHT**

On = element heating    Off = element reached required heating level

**For greatest economy switch the heater to economy setback if you leave the room for long periods or before going to bed. Normally 16°C is the ideal set back temperature, allowing the room to reach comfort level again within a reasonable time.**

Style	Model	Rating Watt	Height mm	Length mm	Depth mm	Weight kg
Low Horizontal	 CME 09	900	312	1222	121	15
	CME 12	1200	427	1222	121	18
Horizontal	 CMU 08	750	565	820	121	17
	CMU 10	1000	565	820	121	17
	CMU 13	1250	565	1098	121	22
	CMU 15	1500	565	1098	121	22
	CMU 20	2000	565	1098	121	28

### POSITION

For maximum efficiency, this appliance should be positioned so that the emitting heat mixes with the maximum volume of air. Avoid positioning the radiator behind curtains or doors. Respect the minimum distances in relation to floor, walls, net curtains, etc. shown below. To avoid operating problems with the appliance the air grilles must not be partially or totally blocked .

### BATHROOM INSTALLATION

These heaters are splash proof to IPX4 standard.

### IMPORTANT

If the heater is installed in a room containing a bath or shower, it must be installed so that a person using a bath or shower cannot touch switches and other controls.

### FIXING

Remove the wall-mounting bracket from the rear of the unit by depressing the clips at the top of the bracket with a screwdriver.

Fix wall bracket to wall through the screw holes provided.

Hold the unit, tilting it forward by about 10°. Lift gently and insert the lower hooks into the wall bracket. Hook the two chains into the matching holes. Lift gently and insert the upper hooks. Lock the appliance by tightening the central screw in the bracket.

### ELECTRICAL CONNECTION

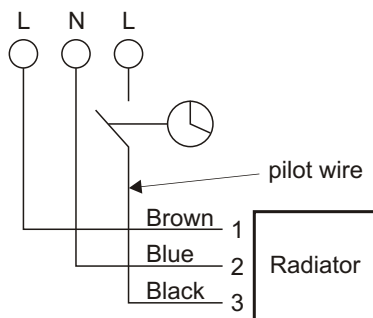
In accordance with IEE regulations, a competent electrician must carry out installation of this appliance.

The heater is fitted with a 1.2m length of flexible cable for connection to the fixed wiring of the premises through a suitable connection box incorporating a double pole isolating switch with a contact separation of at least 3mm, positioned adjacent to the heater.

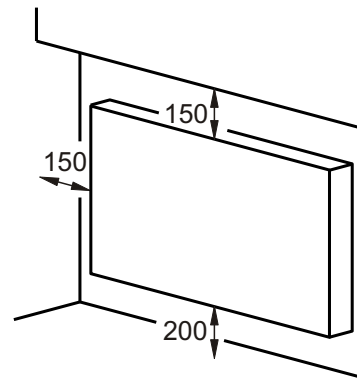
The black pilot control wire is designed only to carry a signal from a compatible remote programmer or switching device.

If the black pilot wire is not being used with a compatible programming or switching device it should be terminated and insulated within the fused spur.

### WIRING DIAGRAM

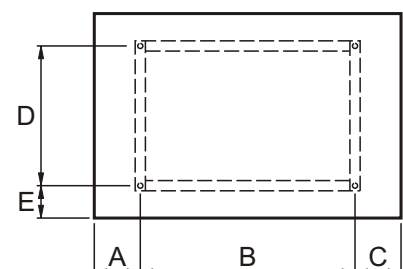


### MINIMUM CLEARANCES

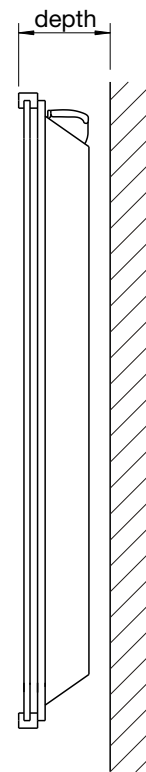
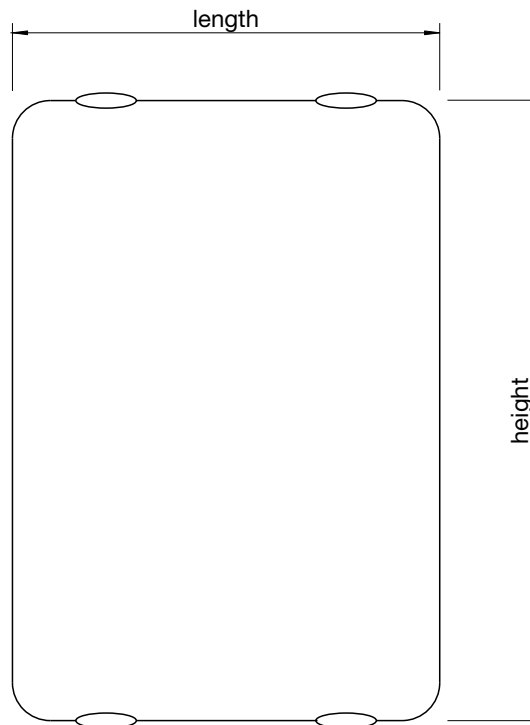


### FIXING DIMENSIONS

viewed from front  
cable entry on right








Model	A mm	B mm	C mm	D mm	E mm
<b>CME 09</b>	280	662	280	103	96
<b>CME 12</b>	280	662	280	218	96
<b>CMU 08</b>	181	384	255	294	115
<b>CMU 10</b>	181	384	255	294	115
<b>CMU 13</b>	181	662	255	294	115
<b>CMU 15</b>	181	662	255	294	115
<b>CMU 20</b>	181	662	255	419	115



**MULTI-FUNCTION ELECTRONIC CONTROLS**

The electronic controls for this appliance have been designed to give you maximum economy and comfort

-  **Off:** the heater will not operate in the off position
-  **Program (clock):** the heater will run on the program being received through the pilot wire from one of our programming options
-  **Comfort:** the heater will maintain the set room temperature.
-  **Economy:** the heater will decrease in temperature by 4°C from comfort room temperature.
-  **Frost Protection:** the room temperature will not drop below 5°C. This is ideal when going on holiday or if a room is out of use for a period of time e.g. a conservatory



**THERMOSTAT**


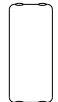
Use the thermostat dial to select your desired room temperature. The markings on the dial are in approximately 3.5°C increments. The maximum setting (10) is around 35°C which means the heater will normally remain on continuously. The easiest way to find your comfort setting is to turn the dial to maximum. When the temperature in the room has reached your ideal comfort level, turn the dial back until the thermostat switches off (the neon light will go out).

**Leave at this setting** and the heater will operate as necessary to maintain this room temperature.

**THERMOSTAT LIGHT**

On = element heating    Off = element reached required heating level

**For greatest economy switch the heater to economy setback if you leave the room for long periods or before going to bed. Normally 16°C is the ideal set back temperature, allowing the room to reach comfort level again within a reasonable time.**

Style	Model	Rating Watt	Height mm	Length mm	Depth mm	Weight kg
Vertical	 <b>CMU 10V</b>	1000	820	565	121	17
	<b>CMU 13V</b>	1250	1098	565	121	22
	<b>CMU 15V</b>	1500	1098	565	121	22
	<b>CMU 20V</b>	2000	1098	690	121	28
Narrow Vertical	 <b>CME 08V</b>	800	972	427	121	15
	<b>CME 11V</b>	1100	1222	427	121	18
	<b>CME 16V</b>	1600	1522	427	121	21

### POSITION

For maximum efficiency, this appliance should be positioned so that the emitting heat mixes with the maximum volume of air. Avoid positioning the radiator behind curtains or doors. Respect the minimum distances in relation to floor, walls, net curtains, etc. shown below. To avoid operating problems with the appliance the air grilles must not be partially or totally blocked .

### BATHROOM INSTALLATION

These heaters are splash proof to IPX4 standard.

### IMPORTANT

If the heater is installed in a room containing a bath or shower, it must be installed so that a person using a bath or shower cannot touch switches and other controls.

### FIXING

Remove the wall-mounting bracket from the rear of the unit by depressing the clips at the top of the bracket with a screwdriver.

Fix wall bracket to wall through the screw holes provided.

Hold the unit, tilting it forward by about 10°. Lift gently and insert the lower hooks into the wall bracket. Hook the two chains into the matching holes. Lift gently and insert the upper hooks. Lock the appliance by tightening the central screw in the bracket.

### ELECTRICAL CONNECTION

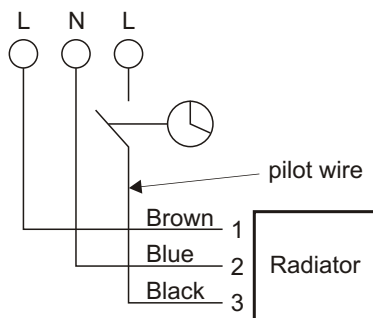
In accordance with IEE regulations, a competent electrician must carry out installation of this appliance.

The heater is fitted with a 1.2m length of flexible cable for connection to the fixed wiring of the premises through a suitable connection box incorporating a double pole isolating switch with a contact separation of at least 3mm, positioned adjacent to the heater.

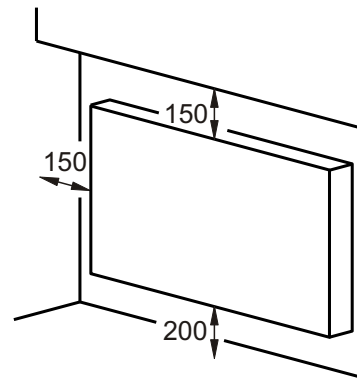
The black pilot control wire is designed only to carry a signal from a compatible remote programmer or switching device.

If the black pilot wire is not being used with a compatible programming or switching device it should be terminated and insulated within the fused spur.

### WIRING DIAGRAM

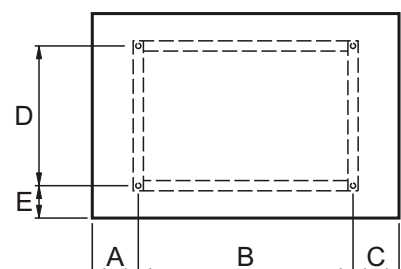


### MINIMUM CLEARANCES



### FIXING DIMENSIONS

viewed from front  
cable entry on right



Model	A mm	B mm	C mm	D mm	E mm
CMU 10V	181	249	135	549	115
CMU 13V	181	249	135	827	115
CMU 15V	181	249	135	827	115
CMU 20V	181	374	135	827	115
CME 08V	116	195	116	549	233
CME 11V	116	195	116	827	205
CME 16V	116	195	116	1067	265