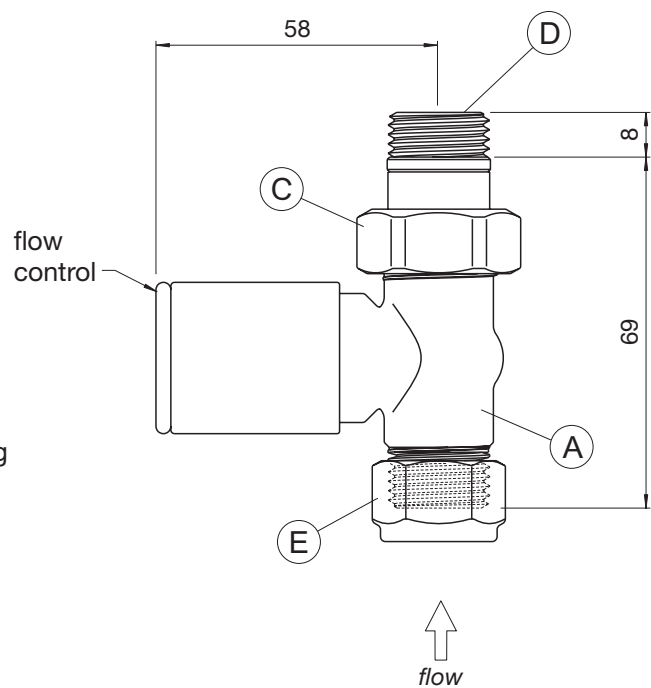
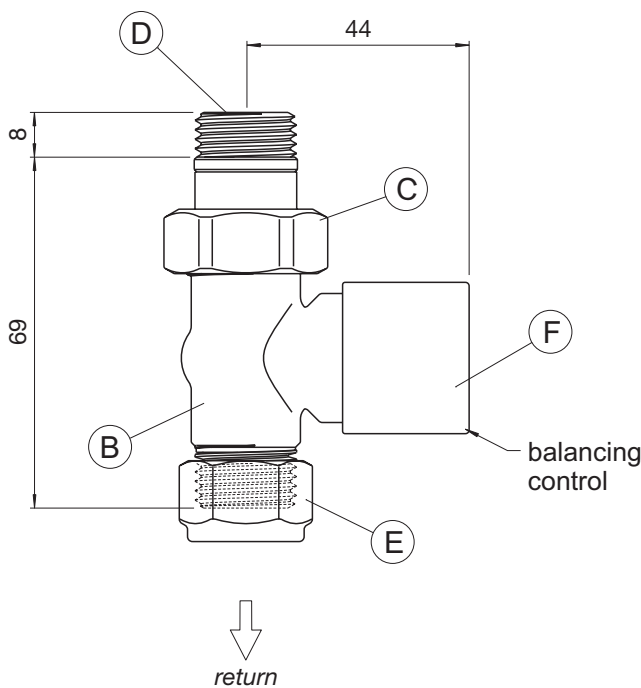


Tools & Material Required

Allen key - 12mm
Adjustable Spanner

| Key | Component | Qty |
|-----|----------------------------|-----|
| A | Manual Body (flow) | 1 |
| B | Manual Body (return) | 1 |
| C | Nut | 2 |
| D | Valve Tail (1/2" BSP) | 2 |
| E | Compression Fitting (15mm) | 2 |



Fitting Instructions

Fit valve tails (D) to radiator using 12mm Allen key, ensuring nut (C) is in place.
Note: over-tightening of valve tails may cause damage to surface finish of radiator connections. Do not use grips.

Loosen compression fittings (E) and apply valve bodies (A) & (B) to 15mm pipe tails.

Install radiator onto bracket mountings and tighten valve tails (D) onto valve bodies (A) & (B).

Tighten compression fittings (E).

After filling and venting radiator, remove cap (F) and adjust balancing control to balance radiator.