

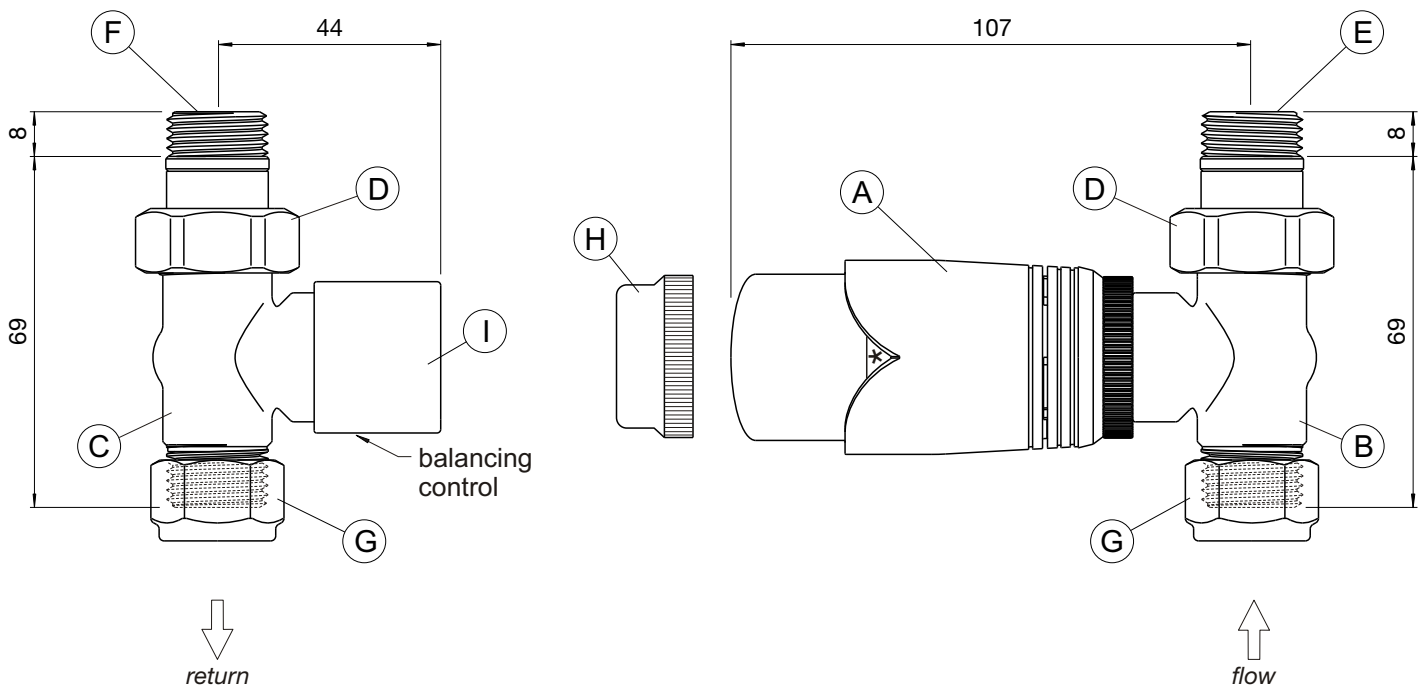
Tools & Material Required

Allen key - 12mm
Adjustable Spanner

Key	Component	Qty
A	Thermostatic Cap	1
B	Thermostatic Body	1
C	Manual Body	1
D	Nut	2
E	Valve Tail (1/2" BSP)	1
F	Valve Tail (1/2" BSP)	1
G	Compression Fitting (15mm)	2
H	Isolating Cap	1

Temperature Settings

★ Anti-Frost Setting
1 to 6 Approx. Range 12°C to 30°C



Assembly Instructions

- Leave isolating cap (H) tightened to thermostatic body (B).
- Fit valve tail (E) to flow side of radiator using 12mm Allen key, ensuring nut (D) is in place.
Note: over-tightening of valve tails may cause damage to surface finish of radiator connections. Do not use grips.
- Fit valve tail (F) to return side of radiator using 12mm Allen key, ensuring nut (D) is in place.
- Loosen compression fittings (G) and apply valve bodies (B) & (C) to 15mm pipe tails.
- Install radiator onto bracket mountings and tighten valve tails (E) & (F) onto valve bodies (B) & (C) respectively.
- Tighten compression fittings (G).
- Remove isolating cap (H). *Note: retain cap for use during any future maintenance.*
- Set reading on thermostatic cap (A) to '6' and tighten cap fully onto the thermostatic body (B).
- After filling and venting radiator, remove cap (I) and adjust balancing control to balance radiator.

Please note: thermostatic valve must only be installed on the flow side of system.